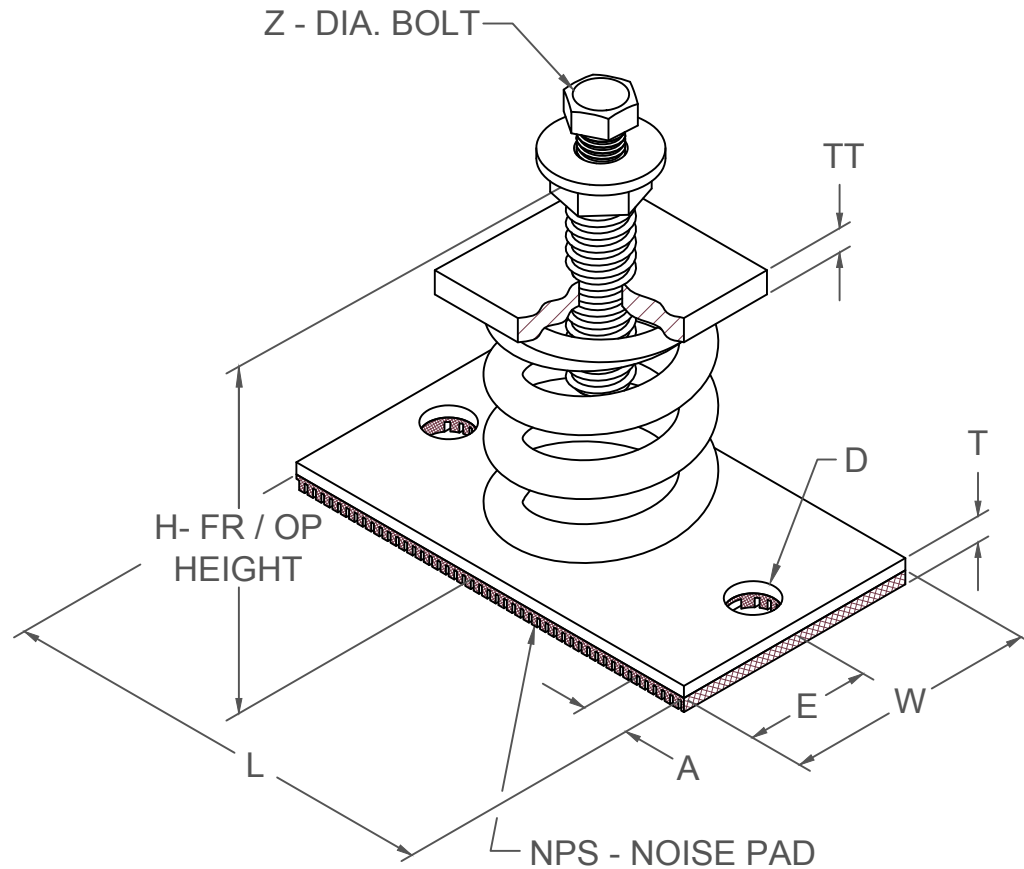


FDS 51 mm DEFLECTION ISOLATOR

S-I UNITS (mm AND kg)

TYPE	L	W	T	A	E	D	H	TT	Z
2-100B/1975B	178	102	10	19	51	17	191	10	10

STANDARD RATINGS		SPRING COIL					
TYPE	SIZE	COLOR		FREE		RATED	
		OUTER	INNER	HT.	O.D.	LOAD	DEFL.
FDS	2-100B	BLUE		155	89	45	51
FDS	2-135B	BLUE		155	89	61	51
FDS	2-185B	BLUE		155	89	84	51
FDS	2-225B	BLUE	BLUE	155	89	102	51
FDS	2-250B	BLUE		155	89	113	51
FDS	2-375B	BLUE	BLUE	155	89	170	51
FDS	2-500B	BLUE		155	89	227	51
FDS	2-625B	BLUE	BLUE	155	89	283	51
FDS	2-750B	BLUE		155	89	340	51
FDS	2-875B	BLUE	BLUE	155	89	397	51
FDS	2-995B	BLUE		155	89	451	51
FDS	2-1120B	BLUE	BLUE	155	89	508	51
FDS	2-1400B	BLUE	BLUE	155	89	635	51
FDS	2-1600B	BLUE		155	89	726	51
FDS	2-1975B	BLUE	BLUE	155	89	896	50



SPECIFICATIONS:

- LOAD PLATES ARE AFFIXED TO COIL SPRING.
- FREE STANDING COIL SPRING ISOLATOR.
- FDS-B ISOLATORS ARE PAINTED.
- HARDWARE IS BRIGHT ZINC PLATED.
- MINIMUM OVERLOAD OF 50%.
- MINIMUM Kx/Ky RATIO OF 1.0.
- ALL ELEMENTS SAFE AT SOLID LOADING.
- ALL THREADED MEMBERS ARE AMERICAN STANDARD.
- FDS-B ISOLATORS ARE NOT SEISMICALLY RATED AND CANNOT BE COUNTED ON TO PROVIDE RESTRAINT IN SEISMIC OR WIND APPLICATIONS.



KINETICS NOISE CONTROL, INC
6300 IRELAN PL,
DUBLIN, OH 43017 USA
Ph: 614 889-0480, Fax: 614 889-0540
www.kineticsnoise.com

Model:
FDS-2-
100B/1975B

By: JMJ
Date: 04/16/02
Revised: 05/21/15 / BB

Drawing No:
S-01.20-22
METRIC