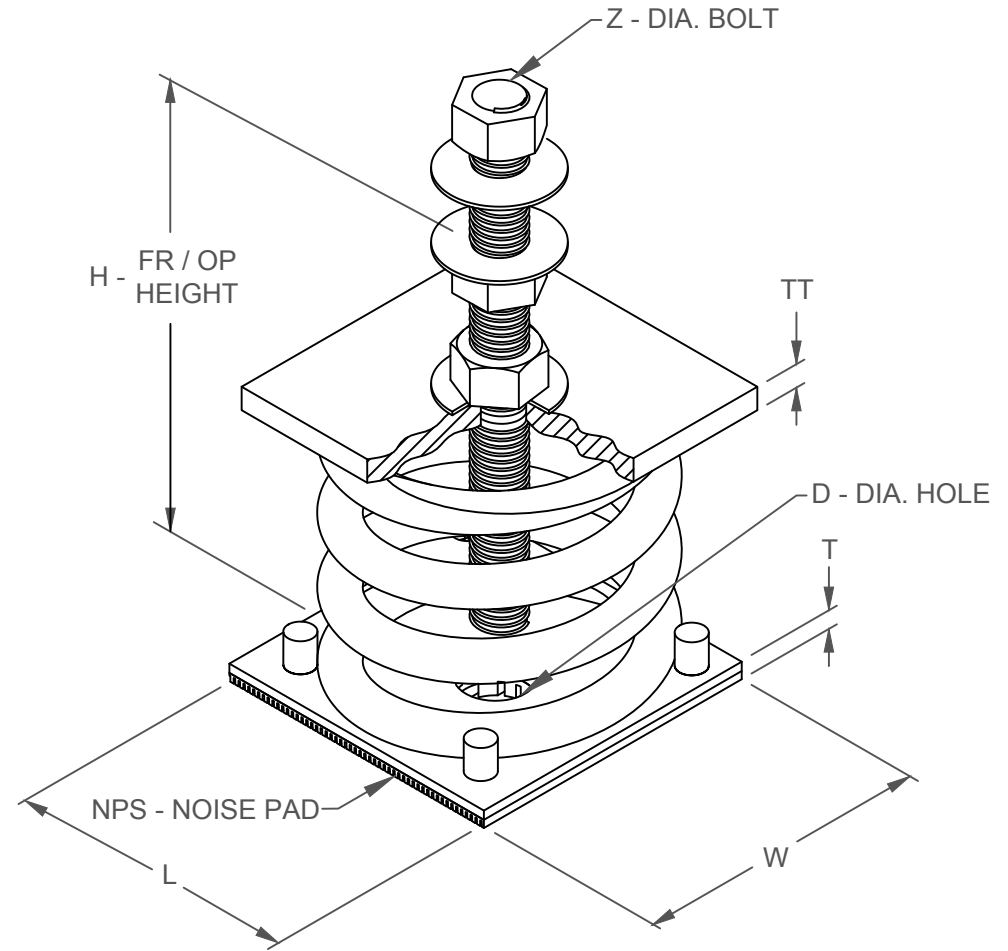


**FDS 4" DEFLECTION ISOLATOR  
IP UNITS (INCHES AND POUNDS)**

TYPE	L	W	T	D	H	TT	Z
4-100/1600	6.00	6.00	0.47	0.81	13.00	0.50	0.88

STANDARD RATINGS		SPRING COIL				
TYPE	SIZE	COLOR	FREE	RATED		
			HT.	O.D.	LOAD	DEFL.
FDS	4-100	GRAY	10.00	5.63	100	4.00
FDS	4-250	BLUE	10.00	5.63	250	4.00
FDS	4-500	GREEN	10.00	5.63	500	4.00
FDS	4-750	BLACK	10.00	5.63	750	4.00
FDS	4-1000	RED	10.00	5.63	1000	4.00
FDS	4-1250	BROWN	10.00	5.63	1250	4.00
FDS	4-1600	ORANGE	10.00	5.63	1600	4.00



**SPECIFICATIONS:**

- LOAD PLATES ARE AFFIXED TO COIL SPRINGS
- FREE STANDING COIL SPRING ISOLATOR
- POWDER COATED SPRING ELEMENTS
- OTHER METALLIC COMPONENTS BRIGHT ZINC PLATED
- MINIMUM OVERLOAD OF 50%
- MINIMUM Kx/Ky RATIO OF 1.0
- ALL ELEMENTS SAFE AT SOLID LOADING
- ALL THREADED MEMBERS ARE AMERICAN STANDARD