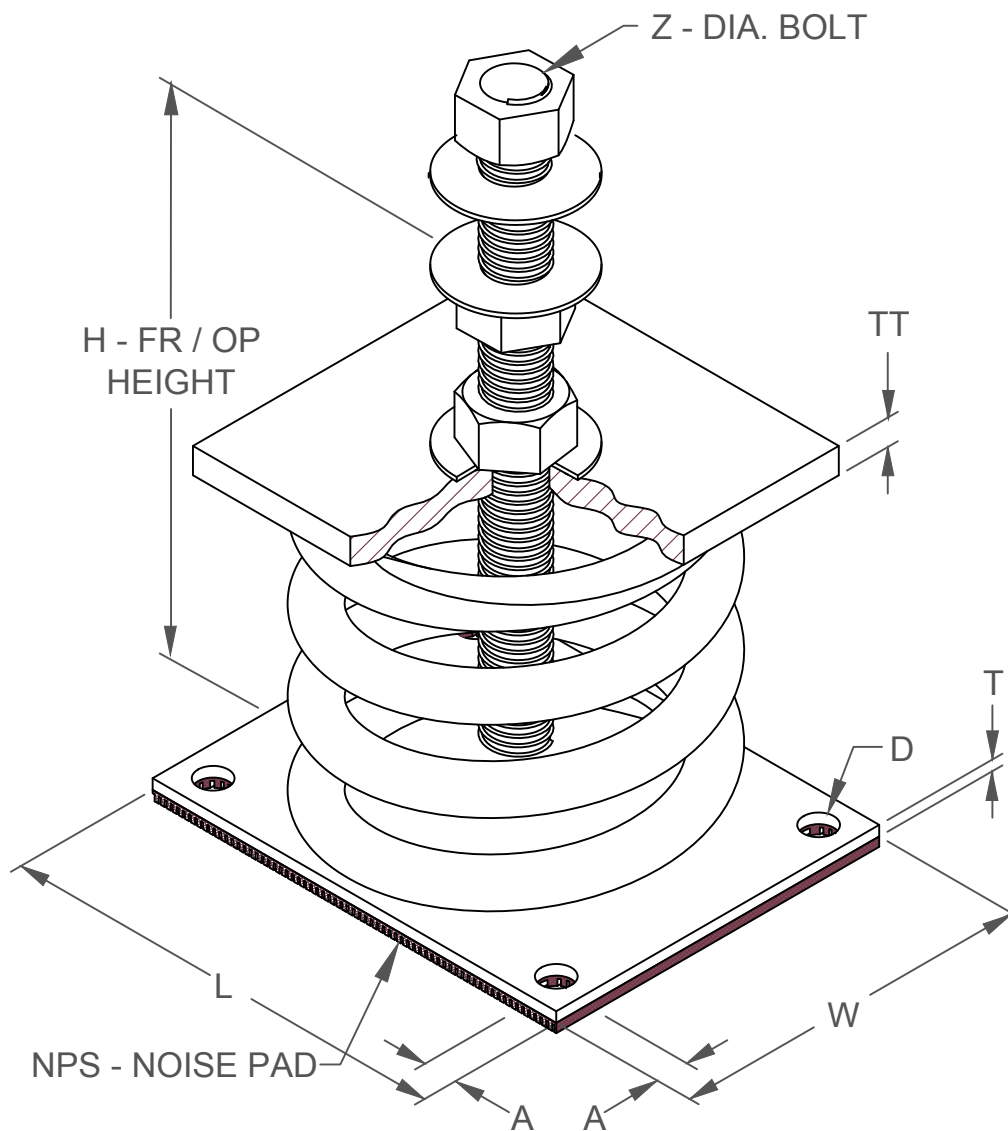


FDS 4" DEFLECTION ISOLATOR
IP UNITS (INCHES AND POUNDS)

TYPE	L	W	T	A	D	H	TT	Z
4-2250B/5800B	10.00	8.00	0.47	0.75	0.69	15.25	0.63	1.25

STANDARD RATINGS		SPRING COIL					
TYPE	SIZE	COLOR		FREE		RATED	
		OUTER	INNER	HT.	O.D.	LOAD	DEFL.
FDS	4-2250B	BLUE		11.50	8.00	2250	4.00
FDS	4-2500B	BLUE	BLUE	11.50	8.00	2500	4.00
FDS	4-2750B	BLUE	BLUE	11.50	8.00	2750	4.00
FDS	4-3000B	BLUE	BLUE	11.50	8.00	3000	4.00
FDS	4-3250B	BLUE	BLUE	11.50	8.00	3250	4.00
FDS	4-3500B	BLUE	BLUE	11.50	8.00	3500	4.00
FDS	4-3850B	BLUE	BLUE	11.50	8.00	3850	4.00
FDS	4-4200B	BLUE		11.50	8.00	4200	4.00
FDS	4-4450B	BLUE	BLUE	11.50	8.00	4450	4.00
FDS	4-4700B	BLUE	BLUE	11.50	8.00	4700	4.00
FDS	4-4950B	BLUE	BLUE	11.50	8.00	4950	4.00
FDS	4-5200B	BLUE	BLUE	11.50	8.00	5200	4.00
FDS	4-5450B	BLUE	BLUE	11.50	8.00	5450	4.00
FDS	4-5800B	BLUE	BLUE	11.50	8.00	5800	4.00



SPECIFICATIONS:

- LOAD PLATES ARE AFFIXED TO COIL SPRING.
- FREE STANDING COIL SPRING ISOLATOR.
- FDS-B ISOLATORS ARE PAINTED.
- HARDWARE IS BRIGHT ZINC PLATED.
- MINIMUM OVERLOAD OF 50%.
- MINIMUM K_x/K_y RATIO OF 1.0.
- ALL ELEMENTS SAFE AT SOLID LOADING.
- ALL THREADED MEMBERS ARE AMERICAN STANDARD.
- FDS-B ISOLATORS ARE NOT SEISMICALLY RATED AND CANNOT BE COUNTED ON TO PROVIDE RESTRAINT IN SEISMIC OR WIND APPLICATIONS.



KINETICS NOISE CONTROL, INC
 6300 IRELAN PL,
 DUBLIN, OH 43017 USA
 Ph: 614 889-0480, Fax: 614 889-0540
 www.kineticsnoise.com

Model:
**FDS-4-
 2250B/5800B**

By: **JMJ**
 Date: **04/12/02**
 Revised: **05/21/15 / BB**

Drawing No:
S-01.20-42