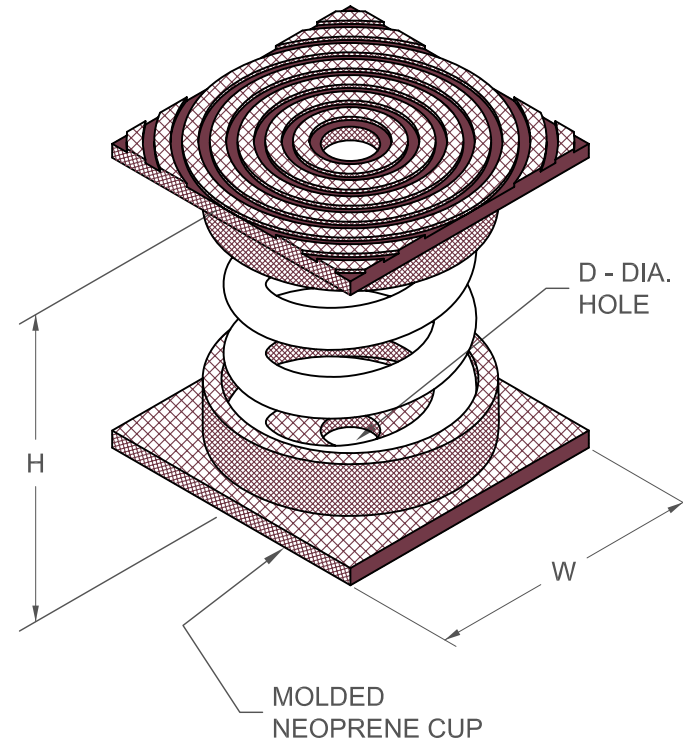


SHU 25 mm DEFLECTION ISOLATOR

S-I UNITS (mm AND kg)

TYPE	H	W	D
1-50/3500	126	98	25

STANDARD RATINGS		SPRING COIL					
TYPE	SIZE	COLOR		FREE		RATED	
		OUTER	INNER	HT.	O.D.	LOAD	DEFL.
SHU	1-50	BEIGE		107	76	23	25
SHU	1-100	CHROME		107	76	45	25
SHU	1-250	BLUE		107	76	113	45
SHU	1-450	GREEN		107	76	204	39
SHU	1-625	BLACK		107	76	283	37
SHU	1-800	GRAY		107	76	363	33
SHU	1-1000	RED		107	76	454	29
SHU	1-1250	BROWN		107	76	567	28
SHU	1-1700	ORANGE		107	76	771	24
SHU	1-2200	ORANGE	GRAY	107	76	998	26
SHU	1-2465	BLUE		107	76	1118	25
SHU	1-2865	BLUE	GRAY	107	76	1300	25
SHU	1-3500	BLUE	BROWN	107	76	1588	25



SPECIFICATIONS:

- SPRING ELEMENTS ARE POWDER COATED.
- ISOLATORS HAVE A MINIMUM K_x/K_y RATIO OF 1.0.
- ISOLATORS HAVE A TYPICAL OVERLOAD CAPACITY OF 50%.
- SPRING ELEMENTS ARE SAFE AT SOLID LOADING.
- NEOPRENE NOISE CAP CONTAINS AN EMBEDDED STEEL CUP.



KINETICS NOISE CONTROL, INC
 6300 IRELAN PL.
 DUBLIN, OH 43017 USA
 Ph: 614 889-0480, Fax: 614 889-0540
 www.kineticsnoise.com

Model:
SHU-1-50/3500

By: JMJ
 Date: 02/26/03
 Revised: 02/11/08 / BB

Drawing No:
S-01.21-52 METRIC