

**FLS 51 mm DEFLECTION ISOLATOR**

S-I UNITS (mm AND kg)

TYPE	L	W	T	A	B	D	E	F	d	H	TT
2-100/1975	229	127	6	19	19	17	70	70	14	203	10

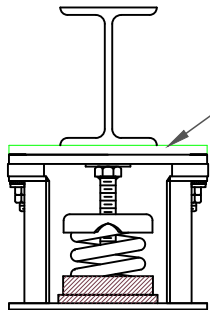
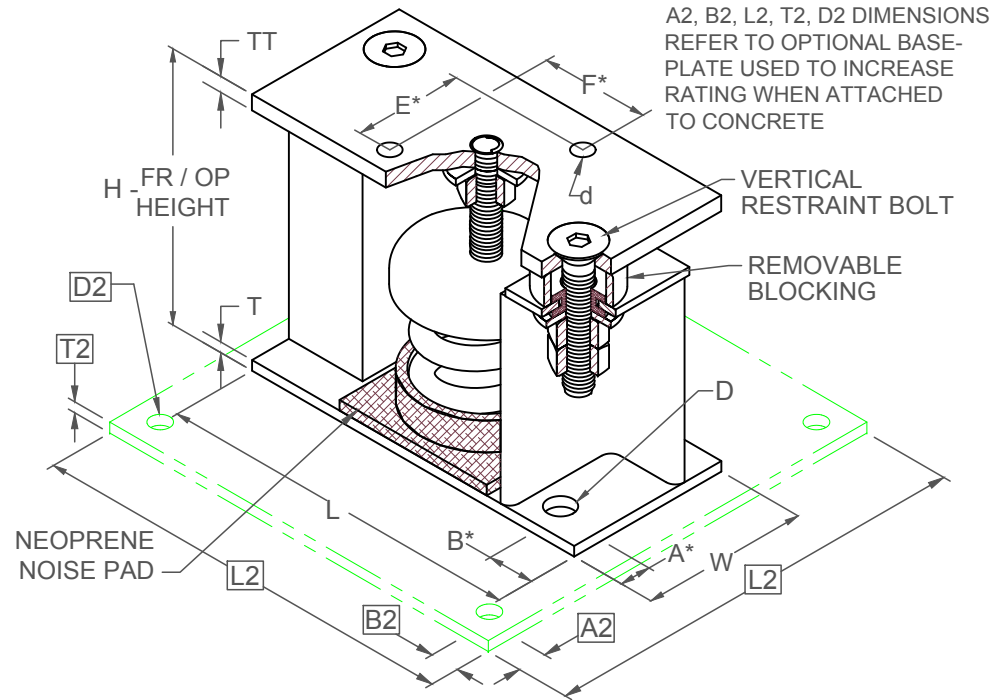
\*ALL MOUNTING BOLT PATTERNS SYMMETRICAL ABOUT ISOLATOR CENTER-LINE

STANDARD RATINGS	SPRING COIL						
	COLOR		FREE	RATED			
TYPE	SIZE	OUTER	INNER	HT.	O.D.	LOAD	DEFL.
FLS	2-100	GRAY		155	89	45	51
FLS	2-135	BEIGE		155	89	61	51
FLS	2-185	BROWN		155	89	84	51
FLS	2-225	GRAY	BROWN	155	89	102	51
FLS	2-250	BLUE		155	89	113	51
FLS	2-375	BLUE	BROWN	155	89	170	51
FLS	2-500	GREEN		155	89	227	51
FLS	2-625	GREEN	BROWN	155	89	283	51
FLS	2-750	BLACK		155	89	340	51
FLS	2-875	BLACK	BROWN	155	89	397	51
FLS	2-995	ORANGE		155	89	451	51
FLS	2-1120	ORANGE	BROWN	155	89	508	51
FLS	2-1400	ORANGE	GREEN	155	89	635	51
FLS	2-1600	RED		155	89	726	51
FLS	2-1975	RED	GREEN	155	89	896	50

2-100/1975 REQUIRES 16 DIA. x 102 MIN. EMBED ANCHORS IN CONCRETE

(ALLOWABLE LOADS BASED ON 21 MPa MIN CONCRETE)

2-100/1975 ANCHOR BOLT TORQUE - 102 N-M, PULL TEST - 1211 kg

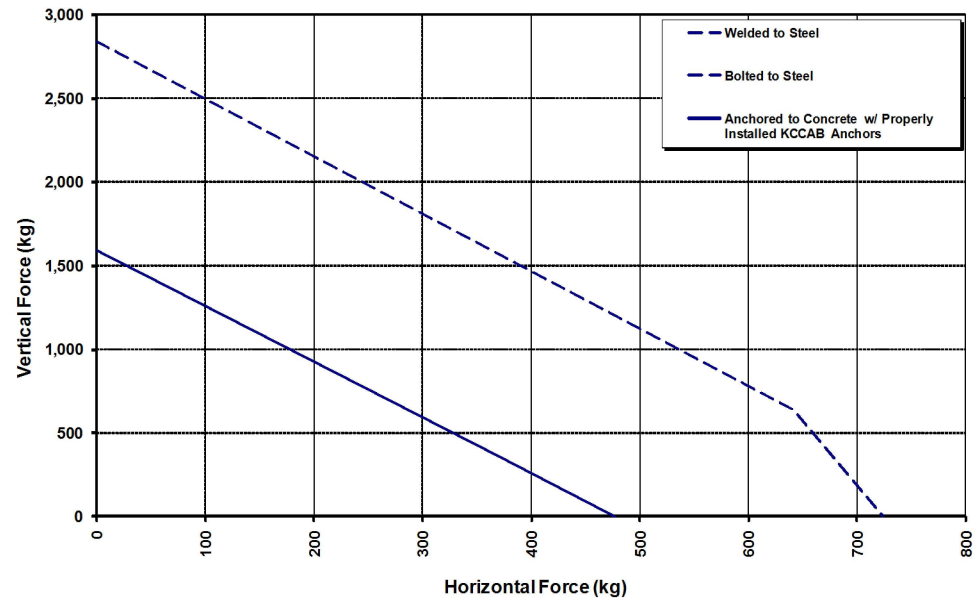


IF EQUIP SUPPORT STEEL IS 90° TO THE LONG ISOLATOR AXIS, AN ADD'L PLATE EQUAL IN THICKNESS TO THE TOP PLATE IS REQUIRED

**SPECIFICATIONS:**

- VERTICALLY AND Laterally RESTRAINED SPRING ISOLATOR WITH CONSTANT FREE AND OPERATING HEIGHT AND REPLACEABLE NEOPRENE SNUBBING ELEMENTS.
- WHEN PROPERLY ADJUSTED, MAX. CLEARANCE IN SNUBBING ELEMENTS IS LIMITED TO 0.25 INCHES.
- MINIMUM COIL OVERLOAD OF 50%.
- MINIMUM K<sub>x</sub>/K<sub>y</sub> RATIO OF 1.0.
- ALL ELEMENTS SAFE AT SOLID LOADING.
- POWDER COATED COILS AND HOT DIPPED GALVANIZED BRACKET.
- HOUSINGS MAY BE USED FOR BLOCKING DURING EQUIPMENT ERECTION.

**FLS-2-100/1975 Seismic Capacity Envelopes**



Computed horiz. and vert. seismic load combinations must fall within the restraint capacity envelope.