

FLS 2" DEFLECTION ISOLATOR

IP UNITS (INCHES AND POUNDS)

TYPE	L	W	T	A	B	D	E	F	d	H	TT
2-100/1975	9.00	5.00	0.25	0.75	0.75	0.69	2.75	2.75	0.56	8.00	0.38

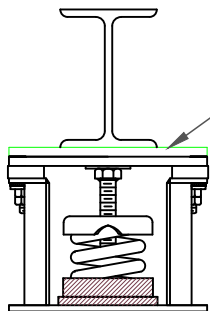
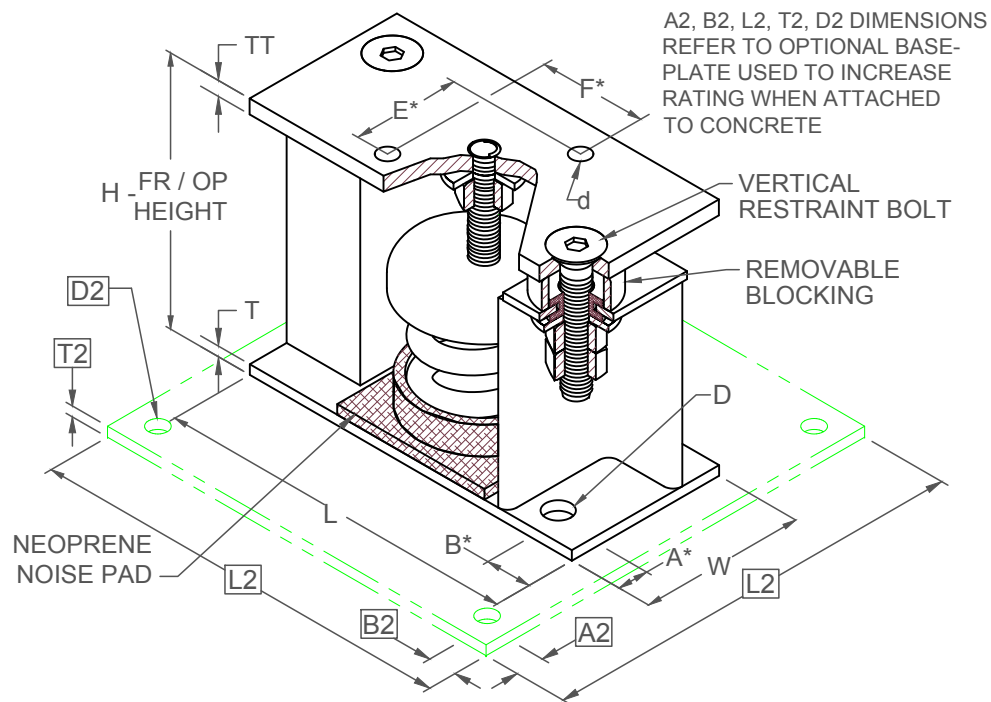
*ALL MOUNTING BOLT PATTERNS SYMMETRICAL ABOUT ISOLATOR CENTER-LINE

STANDARD RATINGS		SPRING COIL					
TYPE	SIZE	COLOR		FREE		RATED	
		OUTER	INNER	HT.	O.D.	LOAD	DEFL.
FLS	2-100	GRAY		6.09	3.50	100	2.00
FLS	2-135	BEIGE		6.09	3.50	135	2.00
FLS	2-185	BROWN		6.09	3.50	185	2.00
FLS	2-225	GRAY	BROWN	6.09	3.50	225	2.00
FLS	2-250	BLUE		6.09	3.50	250	2.00
FLS	2-375	BLUE	BROWN	6.09	3.50	375	2.00
FLS	2-500	GREEN		6.09	3.50	500	2.00
FLS	2-625	GREEN	BROWN	6.09	3.50	625	2.00
FLS	2-750	BLACK		6.09	3.50	750	2.00
FLS	2-875	BLACK	BROWN	6.09	3.50	875	2.00
FLS	2-995	ORANGE		6.09	3.50	995	2.00
FLS	2-1120	ORANGE	BROWN	6.09	3.50	1120	2.00
FLS	2-1400	ORANGE	GREEN	6.09	3.50	1400	2.01
FLS	2-1600	RED		6.09	3.50	1600	2.00
FLS	2-1975	RED	GREEN	6.09	3.50	1975	1.98

2-100/1975 REQUIRES 0.62 DIA. x 4.00 MIN. EMBED ANCHORS IN CONCRETE

(ALLOWABLE LOADS BASED ON 3000 PSI MIN CONCRETE)

2-100/1975 ANCHOR BOLT TORQUE - 75 FT-LB, PULL TEST - 2670 LB

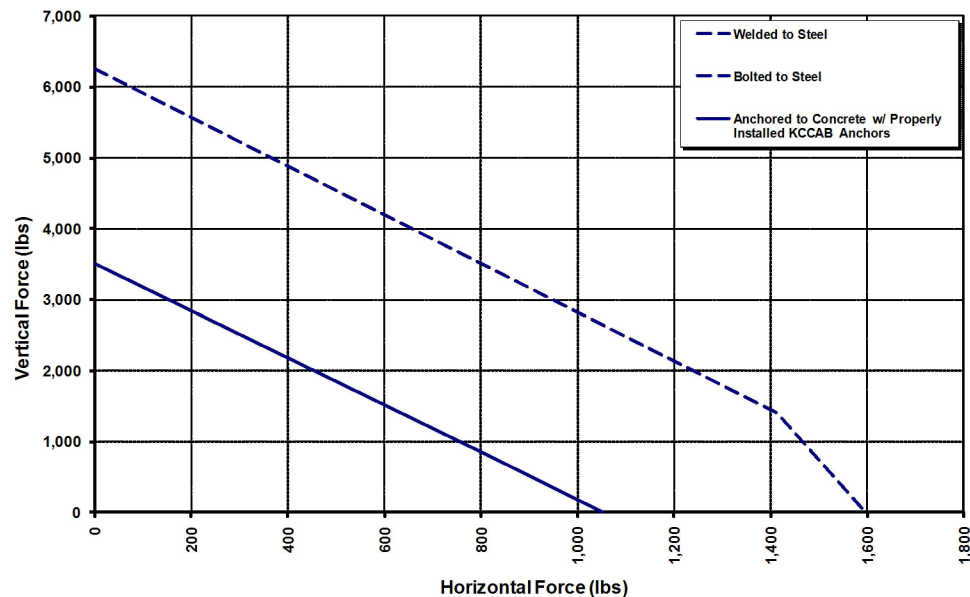


IF EQUIP SUPPORT STEEL IS 90° TO THE LONG ISOLATOR AXIS, AN ADD'L PLATE EQUAL IN THICKNESS TO THE TOP PLATE IS REQUIRED

SPECIFICATIONS:

- VERTICALLY AND Laterally RESTRAINED SPRING ISOLATOR WITH CONSTANT FREE AND OPERATING HEIGHT AND REPLACEABLE NEOPRENE SNUBBING ELEMENTS.
- WHEN PROPERLY ADJUSTED, MAX. CLEARANCE IN SNUBBING ELEMENTS IS LIMITED TO 0.25 INCHES.
- MINIMUM COIL OVERLOAD OF 50%.
- MINIMUM K_x/K_y RATIO OF 1.0.
- ALL ELEMENTS SAFE AT SOLID LOADING.
- POWDER COATED COILS AND HOT DIPPED GALVANIZED BRACKET.
- HOUSINGS MAY BE USED FOR BLOCKING DURING EQUIPMENT ERECTION.

FLS-2-100/1975 Seismic Capacity Envelopes



Computed horiz. and vert. seismic load combinations must fall within the restraint capacity envelope.