

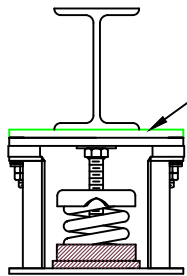
**FLS 102 mm DEFLECTION ISOLATOR**  
S-I UNITS (mm AND kg)

TYPE	L	W	T	A	B	D	E	F	d	H	TT
4-2250/5800	394	203	6	19	19	17	140	140	17	445	13

\*ALL MOUNTING BOLT PATTERNS SYMMETRICAL ABOUT ISOLATOR CENTER-LINE

STANDARD RATINGS	SPRING COIL						
	TYPE	SIZE	COLOR	FREE	RATED	LOAD	DEFL.
FLS	4-2250	BEIGE		HT.	O.D.		
FLS	4-2500	BEIGE	BLUE	292	203	1021	102
FLS	4-2750	BEIGE	GREEN	292	203	1134	102
FLS	4-3000	BEIGE	BLACK	292	203	1247	102
FLS	4-3250	BEIGE	RED	292	203	1361	102
FLS	4-3500	BEIGE	BROWN	292	203	1474	102
FLS	4-3850	BEIGE	ORANGE	292	203	1588	102
FLS	4-4200	CHROME		292	203	1746	102
FLS	4-4450	CHROME	BLUE	292	203	1905	102
FLS	4-4700	CHROME	GREEN	292	203	2018	102
FLS	4-4950	CHROME	BLACK	292	203	2132	102
FLS	4-5200	CHROME	RED	292	203	2245	102
FLS	4-5450	CHROME	BROWN	292	203	2359	102
FLS	4-5800	CHROME	ORANGE	292	203	2472	102
FLS	4-5800	CHROME	ORANGE	292	203	2631	102

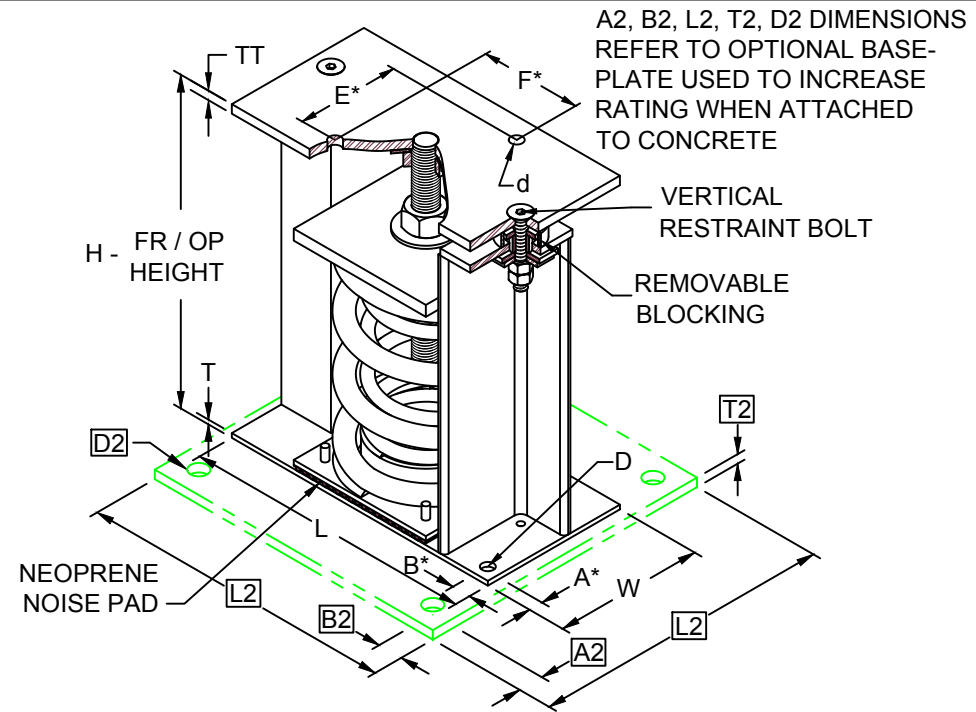
4-2250/5800 REQUIRES 016 DIA. x 102 MIN. EMBED ANCHORS IN CONCRETE  
(ALLOWABLE LOADS BASED ON 21 MPa MIN CONCRETE)  
4-2250/5800 ANCHOR BOLT TORQUE - 102 N-M, PULL TEST - 1211 kg



IF EQUIP SUPPORT STEEL IS 90° TO THE LONG ISOLATOR AXIS, AN ADD'L PLATE EQUAL IN THICKNESS TO THE TOP PLATE IS REQUIRED

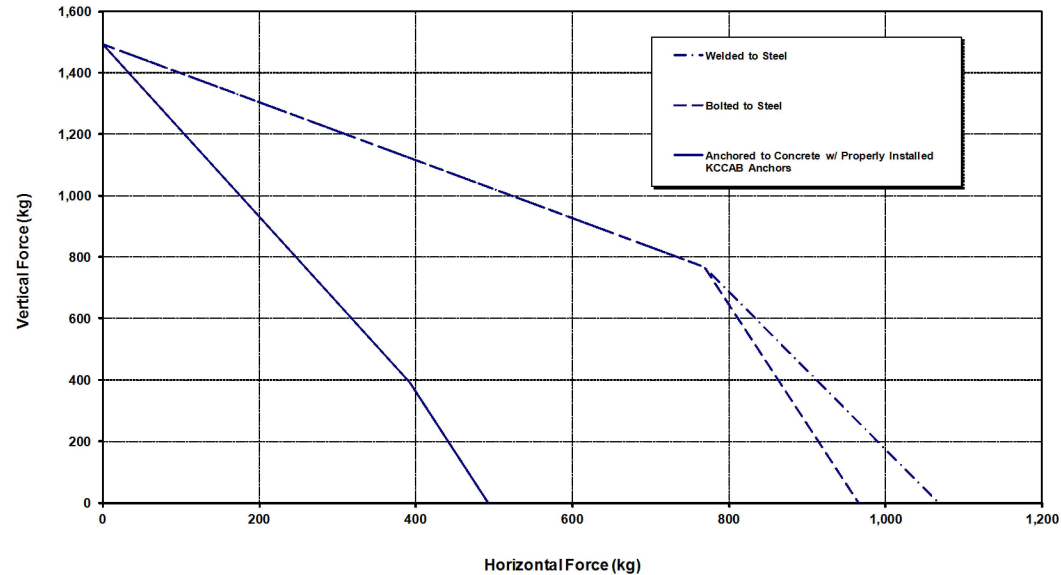
**SPECIFICATIONS:**

- VERTICALLY AND LATERALLY RESTRAINED SPRING ISOLATOR WITH CONSTANT FREE AND OPERATING HEIGHT AND REPLACEABLE NEOPRENE SNUBBING ELEMENTS.
- WHEN PROPERLY ADJUSTED, MAX. CLEARANCE IN SNUBBING ELEMENTS IS LIMITED TO 0.25 (6) INCHES.
- MINIMUM COIL OVERLOAD OF 50%.
- MINIMUM Kx/Ky RATIO OF 1.0.
- ALL ELEMENTS SAFE AT SOLID LOADING.
- POWDER COATED COILS AND HOT DIPPED GALVANIZED HOUSING.
- HOUSINGS MAY BE USED FOR BLOCKING DURING EQUIPMENT ERECTION.



A2, B2, L2, T2, D2 DIMENSIONS REFER TO OPTIONAL BASE-PLATE USED TO INCREASE RATING WHEN ATTACHED TO CONCRETE

FLS-4-2250/5800 Seismic Capacity Envelopes



Computed horizontal and vertical seismic combinations must fall within the restraint capacity envelope



KINETICS NOISE CONTROL, INC  
6300 IRELAN PL,  
DUBLIN, OH 43017 USA  
Ph: 614 889-0480, Fax: 614 889-0540  
www.kineticsnoise.com

Model:  
**FLS-4-2250/5800**

By: **JMJ**  
Date: **07/09/02**  
Revised: **03/31/16 /BB**

Drawing No:  
**S-01.22-42 METRIC**