

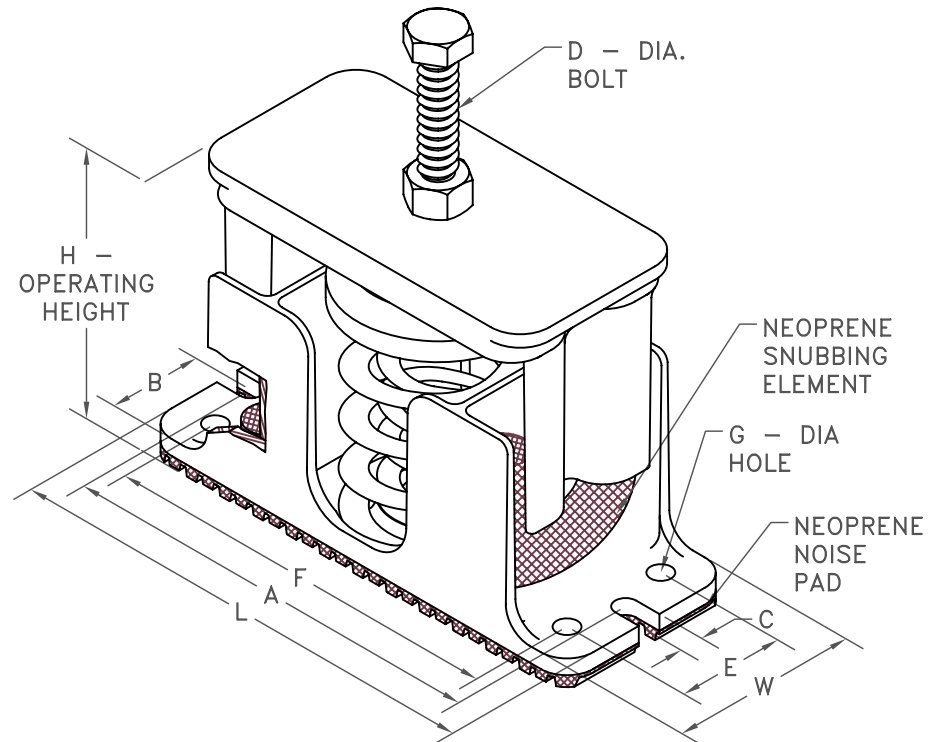
## SL 1" DEFLECTION ISOLATOR

IP UNITS (INCHES AND POUNDS)

| TYPE      | A    | B    | C    | D    | E    | F    | G    | H    | L    | W    |
|-----------|------|------|------|------|------|------|------|------|------|------|
| 35A/805A  | 5.63 | 1.06 | 0.31 | 0.38 | -    | -    | -    | 3.50 | 6.13 | 2.13 |
| 50C/3500C | 8.00 | 1.75 | 0.44 | 0.63 | 2.00 | 7.50 | 0.44 | 5.00 | 9.00 | 3.50 |

NOTE: ALL MOUNTING DIMENSIONS SYMMETRIC ABOUT ISOLATOR CENTER

| STANDARD RATINGS |       | SPRING COIL |       |      |      |       |       |
|------------------|-------|-------------|-------|------|------|-------|-------|
|                  |       | COLOR       |       | FREE |      | RATED |       |
| TYPE             | SIZE  | OUTER       | INNER | HT.  | O.D. | LOAD  | DEFL. |
| SL               | 35A   | BLUE        |       | 3.19 | 1.75 | 35    | 1.52  |
| SL               | 70A   | GREEN       |       | 3.19 | 1.75 | 70    | 1.36  |
| SL               | 120A  | GRAY        |       | 3.19 | 1.75 | 120   | 1.18  |
| SL               | 220A  | BROWN       |       | 3.19 | 1.75 | 220   | 1.07  |
| SL               | 370A  | ORANGE      |       | 3.19 | 1.75 | 370   | 0.96  |
| SL               | 500A  | BEIGE       |       | 3.19 | 1.75 | 500   | 1.00  |
| SL               | 600A  | CHROME      |       | 3.19 | 1.75 | 600   | 1.00  |
| SL               | 700A  | BEIGE       | WHITE | 3.19 | 1.75 | 700   | 1.00  |
| SL               | 805A  | CHROME      | WHITE | 3.19 | 1.75 | 805   | 1.01  |
| SL               | 50C   | BEIGE       |       | 4.20 | 3.00 | 50    | 1.00  |
| SL               | 100C  | CHROME      |       | 4.20 | 3.00 | 100   | 1.00  |
| SL               | 250C  | BLUE        |       | 4.20 | 3.00 | 250   | 1.79  |
| SL               | 450C  | GREEN       |       | 4.20 | 3.00 | 450   | 1.54  |
| SL               | 625C  | BLACK       |       | 4.20 | 3.00 | 625   | 1.44  |
| SL               | 800C  | GRAY        |       | 4.20 | 3.00 | 800   | 1.31  |
| SL               | 1000C | RED         |       | 4.20 | 3.00 | 1000  | 1.15  |
| SL               | 1250C | BROWN       |       | 4.20 | 3.00 | 1250  | 1.09  |
| SL               | 1700C | ORANGE      |       | 4.20 | 3.00 | 1700  | 0.95  |
| SL               | 2200C | ORANGE      | GRAY  | 4.20 | 3.00 | 2200  | 1.00  |
| SL               | 2465C | BLUE        |       | 4.20 | 3.00 | 2465  | 1.00  |
| SL               | 2865C | BLUE        | GRAY  | 4.20 | 3.00 | 2865  | 1.00  |
| SL               | 3500C | BLUE        | BROWN | 4.20 | 3.00 | 3500  | 1.00  |



### SPECIFICATIONS:

- HOUSED COIL SPRING ISOLATOR WITH INTERNAL SNUBBERS.
- POWDER COATED STEEL SPRING ELEMENTS.
- OTHER METALLIC HARDWARE IS BRIGHT ZINC PLATED.
- 35A/805A HOUSINGS ARE CAST ALUMINUM, 50C/3500C ARE CAST IRON.
- MINIMUM OVERLOAD OF 50%.
- MINIMUM Kx/Ky RATIO OF 1.0.
- ALL ELEMENTS SAFE AT SOLID LOADING.
- ALL THREADED MEMBERS ARE AMERICAN STANDARD.



KINETICS NOISE CONTROL, INC  
 6300 IRELAN PL,  
 DUBLIN, OH 43017 USA  
 Ph: 614 889-0480, Fax: 614 889-0540  
 www.kineticsnoise.com

Model:  
**SL-35A/3500C**

By: BB  
 Date: 02/11/08  
 Revised: /

Drawing No:  
**S-01.24-11**