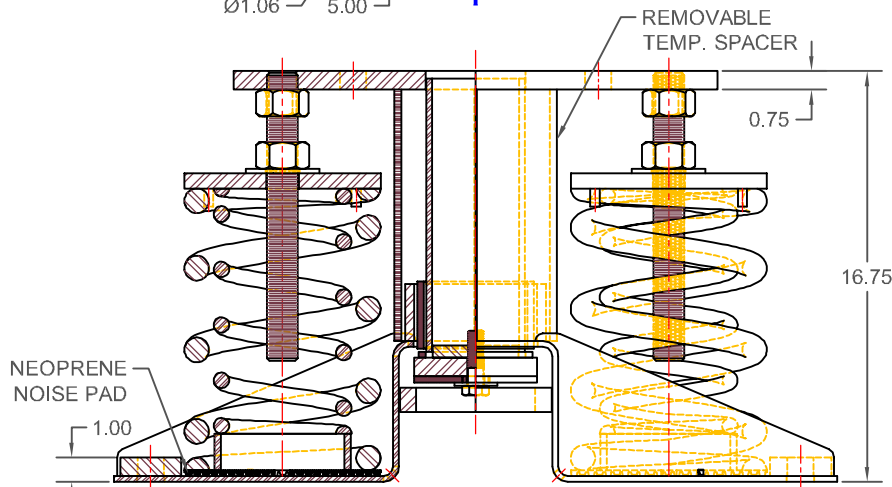
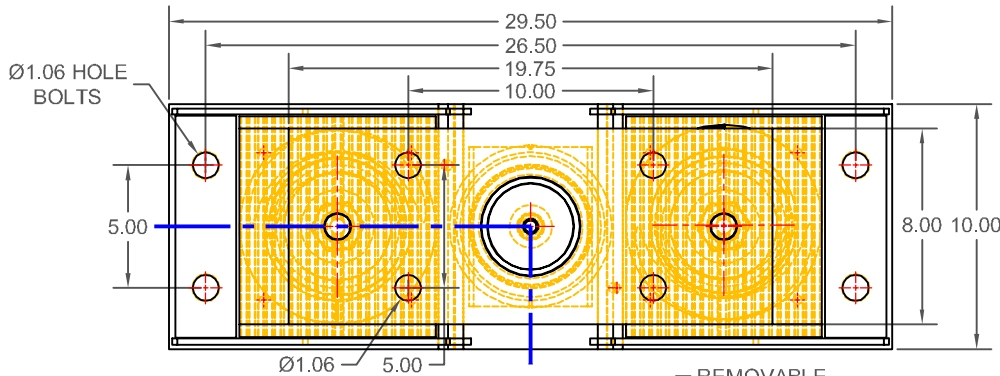


MODEL	SPRING					
	COLOR		FREE		RATED	
	OUTER	INNER	HT.	O.D.	LOAD	DEFL.
TITAN (B) 4-4500	BEIGE		11.50	8.00	4500	4.00
TITAN (B) 4-5000	BEIGE	BLUE	11.50	8.00	5000	4.00
TITAN (B) 4-5500	BEIGE	GREEN	11.50	8.00	5500	4.00
TITAN (B) 4-6000	BEIGE	BLACK	11.50	8.00	6000	4.00
TITAN (B) 4-6500	BEIGE	RED	11.50	8.00	6500	4.00
TITAN (B) 4-7000	BEIGE	BROWN	11.50	8.00	7000	4.00
TITAN (B) 4-7700	BEIGE	ORANGE	11.50	8.00	7700	4.00
TITAN (B) 4-8400	CHROME		11.50	8.00	8400	4.00
TITAN (B) 4-8900	CHROME	BLUE	11.50	8.00	8900	4.00
TITAN (B) 4-9400	CHROME	GREEN	11.50	8.00	9400	4.00
TITAN (B) 4-9900	CHROME	BLACK	11.50	8.00	9900	4.00
TITAN (B) 4-10400	CHROME	RED	11.50	8.00	10400	4.00
TITAN (B) 4-10900	CHROME	BROWN	11.50	8.00	10900	4.00
TITAN (B) 4-11600	CHROME	ORANGE	11.50	8.00	11600	4.00

Drawing No: S-01.30-42B
 By: PWM
 Date: 04/17/13
 Revised: 07/26/16 /BB



SPECIFICATIONS

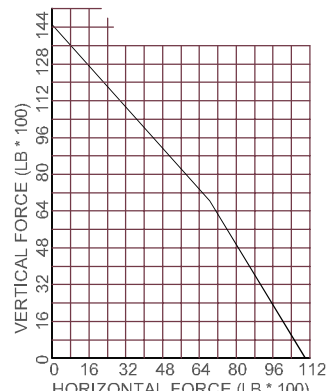
- * VERTICALLY AND Laterally RESTRAINED SPRING ISOLATOR.
- * CONSTANT FREE AND OPERATING HEIGHT.
- * FIELD REPLACEABLE RUBBER ELEMENTS.
- * MIN OVERLOAD OF 50%.
- * MIN K_x/K_y RATIO OF 1.0.
- * ALL ELEMENTS SAFE AT SOLID LOADING.
- * POWDER COATED SPRING COILS.
- * HOUSINGS ARE HOT DIP GALVANIZED.
- * HARDWARE IS ZINC PLATED.
- * TOTAL COMBINED LATERAL AND VERTICAL MOVEMENT IS 1/2" (1/4" IN ANY DIRECTION).

NOTE:

CURRENT CODE REQUIREMENTS CALL FOR ANCHORS TO BE EVALUATED ON A CASE SPECIFIC BASIS. BUILDING CODE, ANCHOR TYPE AND INSTALLATION CONDITIONS ALL IMPACT THE CAPACITY. FOR APPLICATIONS CERTIFIED BY KNC, THIS EVALUATION WILL BE PERFORMED BY KNC. FOR APPLICATIONS CERTIFIED BY OTHERS, IT IS RECOMMENDED THAT THE DESIGNER USE THE APPROPRIATE ANCHOR MANUFACTURER'S ANALYSIS SOFTWARE.

WITH THE USE OF CONCRETE ANCHORS AND AN APPROPRIATE OVERSIZED BASEPLATE, THE MAXIMUM RESTRAINT RATING OF THIS ISOLATOR CAN BE INCREASED AS HIGH AS THE LEVEL FOR WELDED/BOLTED CONNECTIONS INDICATED ON THIS CURVE.

(4) BOLTS /WELDED
 MAX HOR-11020, MAX VER-14500,
 COMBINED-6850 (LB)



SEISMIC CAPACITY (ASD)

Model: TITAN (B)
 4-4500/11600

KINETICS NOISE CONTROL, INC
 6300 IRELAN PL,
 DUBLIN, OH 43017 USA
 Ph: 614 889-0480, Fax: 614 889-0540
 www.kineticsnoise.com

