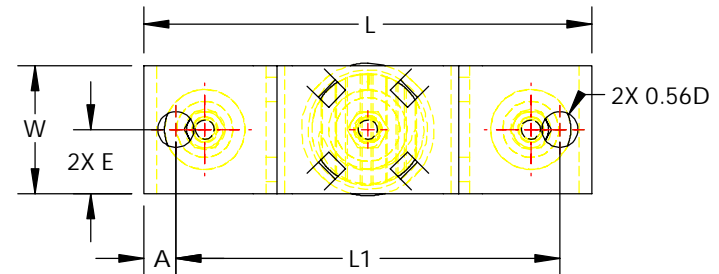
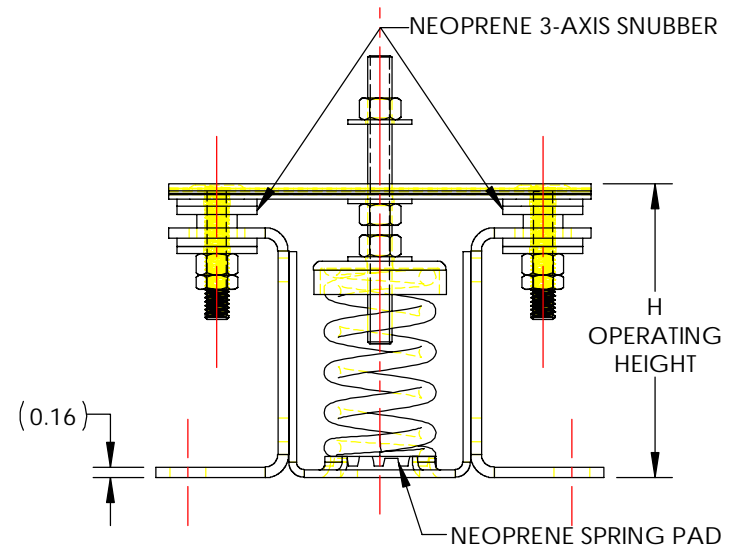
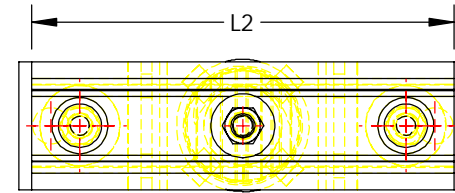
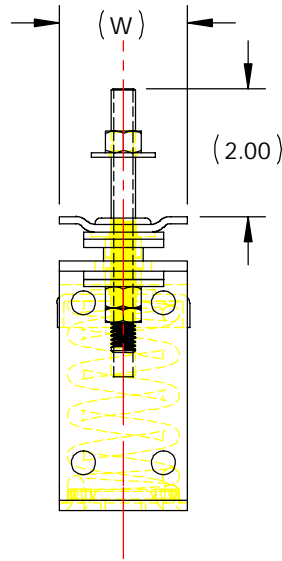
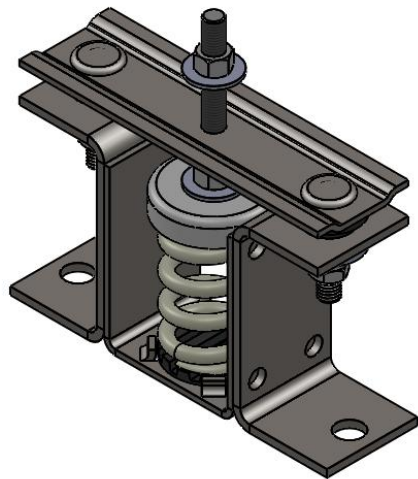


USE WITH SHEETS 1 AND 2.



SPECIFICATIONS:

- VERTICALLY AND LATERALLY RESTRAINED SPRING ISOLATOR WITH CONSTANT FREE AND OPERATING HEIGHT AND REPLACEABLE NEOPRENE SNUBBING ELEMENTS.
- 0.125 INCHES NOMINAL CLEARANCE AT SNUBBING ELEMENTS.
- MINIMUM OVERLOAD OF 50%
- MINIMUM K_x/K_y RATIO OF 1.0.
- ALL ELEMENTS SAFE AT SOLID LOADING.
- POWDER COATED COILS AND ZINC PLATED HOUSING AND MOUNT BRACKET.

TITLE

KCI-P-1 ISOLATOR

DATE

09/03/21

DRAWN BY

BB

DRAWING NO.

S-01.37-011

WEIGHT: 3.47 Lbs

SHEET 1 OF 3



MODEL	SPRING					DIMENSIONS								RESTRAINT CAPACITY	
	COLOR	FREE HT.	O.D.	RATED		A	D	E	H	L	L1	L2	W	VERTICAL	HORIZONTAL
				LOAD	DEFLECTION										
KCI-P-1-12	SILVER	3.19	1.75	12	1.00	0.50	0.56	1.00	4.50	7.00	6.00	6.59	2.00	1,660	800
KCI-P-1-18	YELLOW	3.19	1.75	18	1.00	0.50	0.56	1.00	4.50	7.00	6.00	6.59	2.00	1,660	800
KCI-P-1-24	BLUE	3.19	1.75	35	1.52	0.50	0.56	1.00	4.50	7.00	6.00	6.59	2.00	1,660	800
KCI-P-1-30	PINK	3.19	1.75	30	1.00	0.50	0.56	1.00	4.50	7.00	6.00	6.59	2.00	1,660	800
KCI-P-1-37	WHITE	3.19	1.75	37	1.00	0.50	0.56	1.00	4.50	7.00	6.00	6.59	2.00	1,660	800
KCI-P-1S-50*	GREEN	3.19	1.75	70	1.36	0.50	0.56	1.00	4.50	7.00	6.00	6.59	2.00	1,660	800
KCI-P-1-75	BLACK	3.19	1.75	74	1.00	0.50	0.56	1.00	4.50	7.00	6.00	6.59	2.00	1,660	800
KCI-P-1S-100*	GRAY	3.19	1.75	120	1.18	0.50	0.56	1.00	4.50	7.00	6.00	6.59	2.00	1,660	800
KCI-P-1-150	RED	3.19	1.75	150	1.00	0.50	0.56	1.00	4.50	7.00	6.00	6.59	2.00	1,660	800
KCI-P-1-210	BROWN	3.19	1.75	220	1.07	0.50	0.56	1.00	4.50	7.00	6.00	6.59	2.00	1,660	800
KCI-P-1-300	PURPLE	3.19	1.75	300	1.00	0.50	0.56	1.00	4.50	7.00	6.00	6.59	2.00	1,660	800
KCI-P-1-385	ORANGE	3.19	1.75	370	0.96	0.50	0.56	1.00	4.50	7.00	6.00	6.59	2.00	1,660	800
KCI-P-1-500	BEIGE	3.19	1.75	500	1.00	0.50	0.56	1.00	4.50	7.00	6.00	6.59	2.00	1,660	800
KCI-P-1L-50*	BEIGE	4.20	3.00	50	1.00	0.75	0.69	1.75	5.50	10.50	9.00	8.56	3.50	1,600	1,000
KCI-P-1L-100*	CHROME	4.20	3.00	100	1.00	0.75	0.69	1.75	5.50	10.50	9.00	8.56	3.50	1,600	1,000
KCI-P-1-250	BLUE	4.20	3.00	250	1.79	0.75	0.69	1.75	5.50	10.50	9.00	8.56	3.50	1,600	1,000
KCI-P-1-450	GREEN	4.20	3.00	450	1.54	0.75	0.69	1.75	5.50	10.50	9.00	8.56	3.50	1,600	1,000
KCI-P-1-625	BLACK	4.20	3.00	625	1.44	0.75	0.69	1.75	5.50	10.50	9.00	8.56	3.50	1,600	1,000

NOTES:

*KCI Models with an "S" or "L" indicate there is both a small and large housing with the same loading capacity. Please note that these are different springs although identical capacities.



TITLE
KCI-P-1 ISOLATOR

DATE
09/03/21

DRAWN BY
BB

DRAWINGS NO.
S-01.37-011
WEIGHT: Lbs SHEET 2 OF 3

MODEL	SPRING					DIMENSIONS								RESTRAINT CAPACITY	
	COLOR	FREE HT.	O.D.	RATED		A	D	E	H	L	L1	L2	W	VERTICAL	HORIZONTAL
				LOAD	DEFLECTION										
KCI-P-1-12	SILVER	81	44	5	25	13	14	25	114	178	152	167	51	753	363
KCI-P-1-18	YELLOW	81	44	8	25	13	14	25	114	178	152	167	51	753	363
KCI-P-1-24	BLUE	81	44	16	39	13	14	25	114	178	152	167	51	753	363
KCI-P-1-30	PINK	81	44	14	25	13	14	25	114	178	152	167	51	753	363
KCI-P-1-37	WHITE	81	44	17	25	13	14	25	114	178	152	167	51	753	363
KCI-P-1S-50*	GREEN	81	44	32	35	13	14	25	114	178	152	167	51	753	363
KCI-P-1-75	BLACK	81	44	34	25	13	14	25	114	178	152	167	51	753	363
KCI-P-1S-100*	GRAY	81	44	54	30	13	14	25	114	178	152	167	51	753	363
KCI-P-1-150	RED	81	44	68	25	13	14	25	114	178	152	167	51	753	363
KCI-P-1-210	BROWN	81	44	100	27	13	14	25	114	178	152	167	51	753	363
KCI-P-1-300	PURPLE	81	44	136	25	13	14	25	114	178	152	167	51	753	363
KCI-P-1-385	ORANGE	81	44	168	24	13	14	25	114	178	152	167	51	753	363
KCI-P-1-500	BEIGE	81	44	227	25	13	14	25	114	178	152	167	51	753	363
KCI-P-1L-50*	BEIGE	107	76	23	25	19	18	44	140	267	229	217	89	726	454
KCI-P-1L-100*	CHROME	107	76	45	25	19	18	44	140	267	229	217	89	726	454
KCI-P-1-250	BLUE	107	76	113	45	19	18	44	140	267	229	217	89	726	454
KCI-P-1-450	GREEN	107	76	204	39	19	18	44	140	267	229	217	89	726	454
KCI-P-1-625	BLACK	107	76	283	37	19	18	44	140	267	229	217	89	726	454

NOTES:

*KCI Models with an "S" or "L" indicate there is both a small and large housing with the same loading capacity. Please note that these are different springs although identical capacities.



TITLE	DATE	DRAWN BY	DRAWINGS NO.
KCI-P-1 ISOLATOR	03/05/21	BB	S-01.37-011
WEIGHT: Lbs			SHEET 3 OF 3