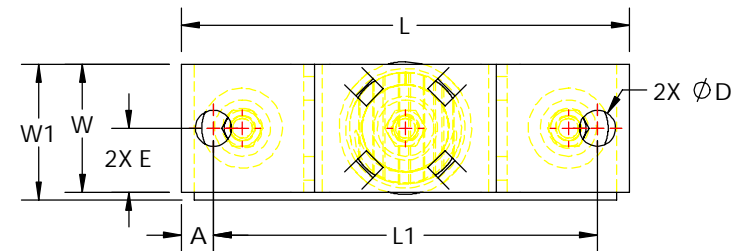
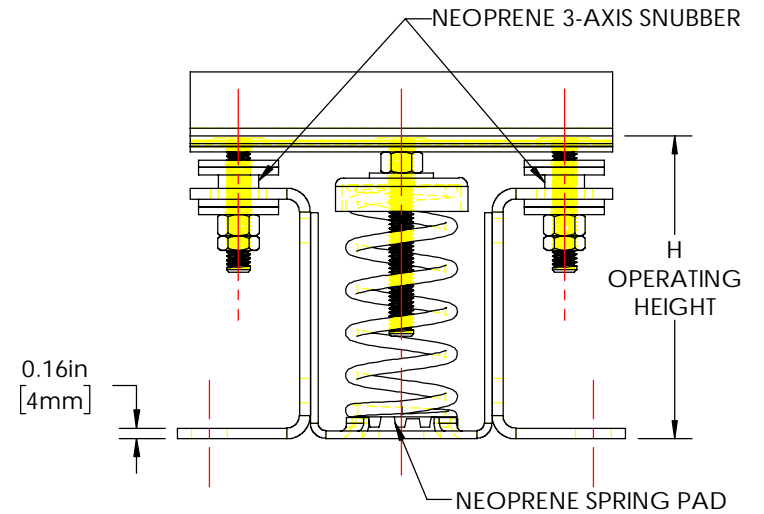
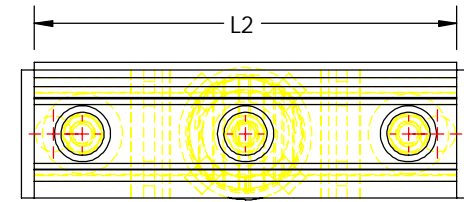
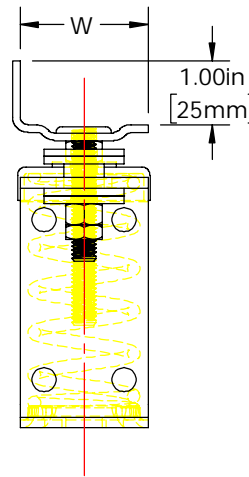
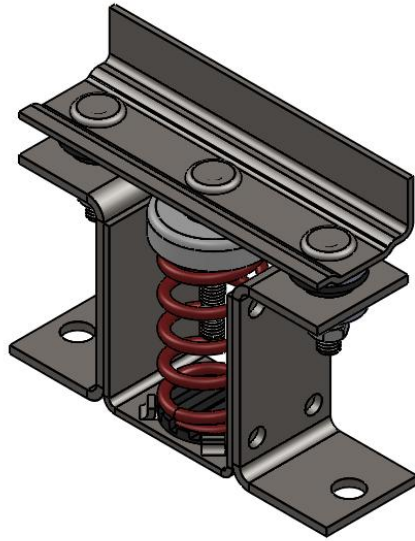


USE WITH SHEETS 2 AND 3



SPECIFICATIONS:

- VERTICALLY AND Laterally RESTRAINED SPRING ISOLATOR WITH CONSTANT FREE AND OPERATING HEIGHT AND REPLACEABLE NEOPRENE SNUBBING ELEMENTS.
- 0.125 INCHES NOMINAL CLEARANCE AT SNUBBING ELEMENTS.
- MINIMUM OVERLOAD OF 50%
- MINIMUM K_x/K_y RATIO OF 1.0.
- ALL ELEMENTS SAFE AT SOLID LOADING.
- POWDER COATED COILS AND ZINC PLATED HOUSING AND MOUNT BRACKET.

TITLE

KCI-A-2 ISOLATOR

REVISION DATE

09/03/21

REVISED BY

BB

DRAWING NO.

S-01.37-020

WEIGHT: 3.50 Lbs

SHEET 1 OF 3



MODEL	SPRING					DIMENSIONS										RESTRAINT CAPACITY	
	COLOR	FREE HT.	O.D.	RATED		A	D	E	H	L	L1	L2	W	W1	VERTICAL	HORIZONTAL	
				LOAD	DEFLECTION												
KCI-A-2-35	BLUE	4.13	1.75	35	2.00	0.50	0.56	1.00	4.50	7.00	6.00	6.59	2.00	2.12	1,660	800	
KCI-A-2-70	GREEN	4.13	1.75	70	2.00	0.50	0.56	1.00	4.50	7.00	6.00	6.59	2.00	2.12	1,660	800	
KCI-A-2-120	GRAY	4.13	1.75	120	2.00	0.50	0.56	1.00	4.50	7.00	6.00	6.59	2.00	2.12	1,660	800	
KCI-A-2-220	BROWN	4.13	1.75	220	2.00	0.50	0.56	1.00	4.50	7.00	6.00	6.59	2.00	2.12	1,660	800	
KCI-A-2-25	GRAY	5.00	3.00	25	2.00	0.75	0.69	1.75	5.50	10.50	9.00	8.56	3.50	3.63	1,600	1,000	
KCI-A-2-50	BLUE	5.00	3.00	50	2.00	0.75	0.69	1.75	5.50	10.50	9.00	8.56	3.50	3.63	1,600	1,000	
KCI-A-2-150	GREEN	5.00	3.00	150	2.00	0.75	0.69	1.75	5.50	10.50	9.00	8.56	3.50	3.63	1,600	1,000	
KCI-A-2-245	BLACK	5.00	3.00	250	2.00	0.75	0.69	1.75	5.50	10.50	9.00	8.56	3.50	3.63	1,600	1,000	
KCI-A-2-350	BEIGE	5.00	3.00	350	2.00	0.75	0.69	1.75	5.50	10.50	9.00	8.56	3.50	3.63	1,600	1,000	
KCI-A-2-100	GRAY	6.09	3.50	100	2.00	0.75	0.69	1.75	5.50	10.50	9.00	8.56	3.50	3.63	1,600	1,000	
KCI-A-2-135	BEIGE	6.09	3.50	135	2.00	0.75	0.69	1.75	5.50	10.50	9.00	8.56	3.50	3.63	1,600	1,000	
KCI-A-2-185	BROWN	6.09	3.50	185	2.00	0.75	0.69	1.75	5.50	10.50	9.00	8.56	3.50	3.63	1,600	1,000	
KCI-A-2-250	BLUE	6.09	3.50	250	2.00	0.75	0.69	1.75	5.50	10.50	9.00	8.56	3.50	3.63	1,600	1,000	
KCI-A-2-500	GREEN	6.09	3.50	500	2.00	0.75	0.69	1.75	5.50	10.50	9.00	8.56	3.50	3.63	1,600	1,000	



TITLE
KCI-A-2 ISOLATOR

REVISION DATE
09/03/21

REVISED BY
BB

DRAWING NO.
S-01.37-020
WEIGHT: Lbs SHEET 2 OF 3

MODEL	SPRING					DIMENSIONS										RESTRAINT CAPACITY	
	COLOR	FREE HT.	O.D.	RATED		A	D	E	H	L	L1	L2	W	W1	VERTICAL	HORIZONTAL	
				LOAD	DEFLECTION												
KCI-A-2-35	BLUE	105	44	16	51	13	14	25	114	178	152	167	51	54	753	363	
KCI-A-2-70	GREEN	105	44	32	51	13	14	25	114	178	152	167	51	54	753	363	
KCI-A-2-120	GRAY	105	44	54	51	13	14	25	114	178	152	167	51	54	753	363	
KCI-A-2-220	BROWN	105	44	100	51	13	14	25	114	178	152	167	51	54	753	363	
KCI-A-2-25	GRAY	127	76	11	51	19	18	44	140	267	229	217	89	92	726	454	
KCI-A-2-50	BLUE	127	76	23	51	19	18	44	140	267	229	217	89	92	726	454	
KCI-A-2-150	GREEN	127	76	68	51	19	18	44	140	267	229	217	89	92	726	454	
KCI-A-2-245	BLACK	127	76	113	51	19	18	44	140	267	229	217	89	92	726	454	
KCI-A-2-350	BEIGE	127	76	159	51	19	18	44	140	267	229	217	89	92	726	454	
KCI-A-2-100	GRAY	155	89	45	51	19	18	44	140	267	229	217	89	92	726	454	
KCI-A-2-135	BEIGE	155	89	61	51	19	18	44	140	267	229	217	89	92	726	454	
KCI-A-2-185	BROWN	155	89	84	51	19	18	44	140	267	229	217	89	92	726	454	
KCI-A-2-250	BLUE	155	89	113	51	19	18	44	140	267	229	217	89	92	726	454	
KCI-A-2-500	GREEN	155	89	227	51	19	18	44	140	267	229	217	89	92	726	454	



TITLE
KCI-A-2 ISOLATOR

REVISION DATE
09/03/21

REVISED BY
BB

DRAWING NO. S-01.37-020
METRIC
WEIGHT: Lbs SHEET 3 OF 3