

# FMS 1" SPRING COIL ASSEMBLY

NOTE: FMS RESTRAINT SHOWN IS NOT TO SCALE. ACTUAL SIZE AND SHAPE MAY VARY. SEE CORRESPONDING FMS RESTRAINT SUBMITTAL FOR ACTUAL DIMENSIONS.

TYPE	W	T	H	Z
1-35/805	2.63	0.25	TABLE 2	TABLE 2

MODEL	RATED LOAD (LBS)	RATED DEFLECTION (IN)	EFFECTIVE SPRING RATE (LB/IN)	SPRING COLOR OUTER/INNER
1-35	35	1.52	23.0	BLUE
1-70	70	1.36	51.5	GREEN
1-120	120	1.18	101.7	GRAY
1-220	220	1.07	205.6	BROWN
1-370	370	0.96	385.4	ORANGE
1-500	500	1.00	500.00	BEIGE
1-600	600	1.00	600.00	CHROME
1-700	700	1.00	700.00	BEIGE/WHITE
1-805	800	1.00	800.00	CHROME/WHITE

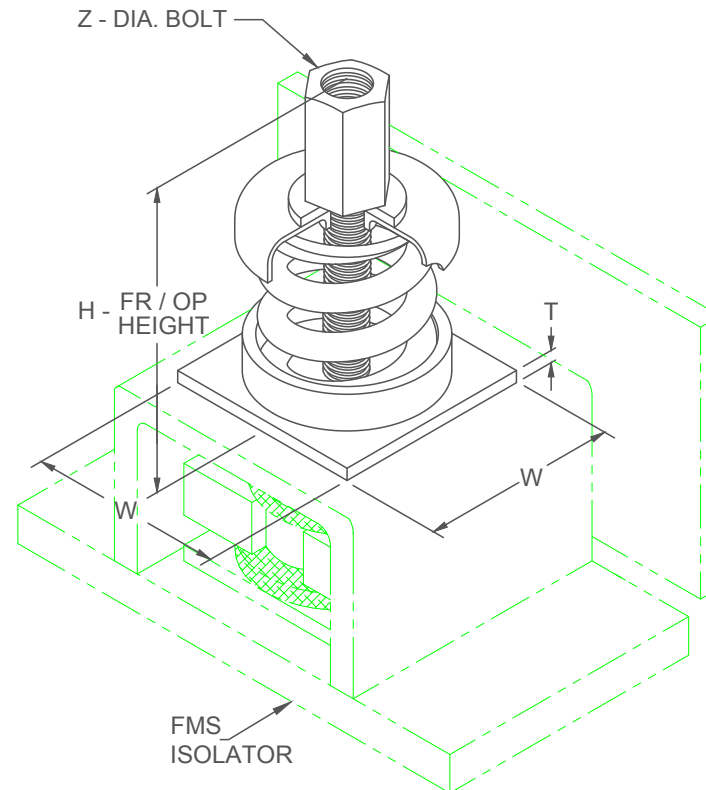


TABLE 2

TYPE	H	Z
FMSB	5.38	0.38

### SPECIFICATIONS:

- FREE STANDING COIL SPRING ISOLATOR
- POWDER COATED SPRING ELEMENT
- OTHER METALLIC COMPONENTS BRIGHT ZINC PLATED
- MINIMUM OVERLOAD OF 50%.
- MINIMUM Kx/Ky RATIO OF 1.0.
- ALL ELEMENTS SAFE AT SOLID LOADING.
- ALL THREADED MEMBERS ARE AMERICAN STANDARD



KINETICS NOISE CONTROL, INC  
 6300 IRELAN PL,  
 DUBLIN, OH 43017 USA  
 Ph: 614 889-0480, Fax: 614 889-0540  
 www.kineticsnoise.com

Model:  
**FMS-1-35/805**

By: **JMJ**  
 Date: **10/21/03**  
 Revised: **/**

Drawing No:  
**S-01.40-11**