

# FMS 25 mm DEFLECTION ISOLATOR

S-I UNITS (mm AND kg)

TYPE	W	T	H	Z
1-50/3500	98	10	168	10

**NOTE:**

FMS RESTRAINT SHOWN IS NOT TO SCALE. ACTUAL SIZE AND SHAPE MAY VARY. SEE CORRESPONDING FMS RESTRAINT SUBMITTAL FOR ACTUAL DIMENSIONS.

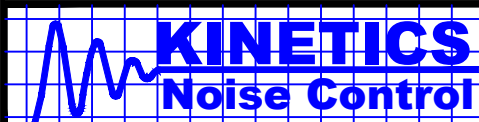
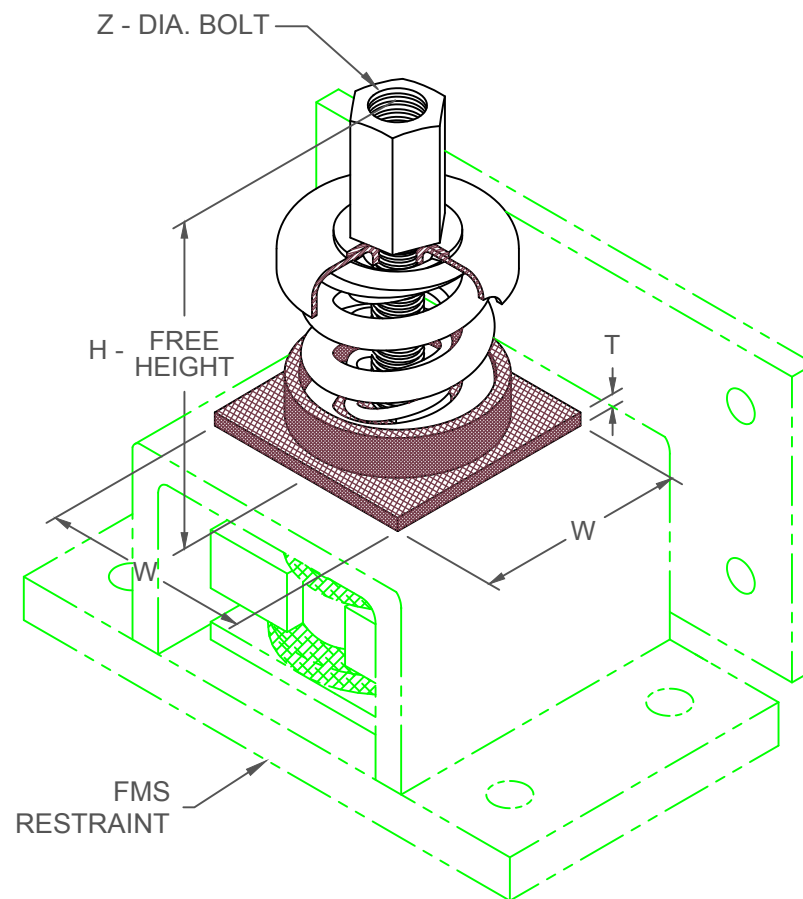
STANDARD RATINGS		SPRING COIL					
TYPE	SIZE	COLOR		FREE HT.	O.D.	RATED	
		OUTER	INNER			LOAD	DEFL.
FMS	1-50	BEIGE		107	76	23	25
FMS	1-100	CHROME		107	76	45	25
FMS	1-250	BLUE		107	76	113	45
FMS	1-450	GREEN		107	76	204	39
FMS	1-625	BLACK		107	76	283	37
FMS	1-800	GRAY		107	76	363	33
FMS	1-1000	RED		107	76	454	29
FMS	1-1250	BROWN		107	76	567	28
FMS	1-1700	ORANGE		107	76	771	24
FMS	1-2100	ORANGE	GRAY	107	76	953	24
FMS	1-2465	BLUE		107	76	1118	25
FMS	1-2865	BLUE	GRAY	107	76	1300	25
FMS	1-3500	BLUE	BROWN	107	76	1588	25

**SPRING PACK USED WITH FMS RESTRAINT MODELS:**

- FMSA
- FMSB
- FMSC
- FMSD
- FMSE

**SPECIFICATIONS:**

- FREE STANDING COIL SPRING ISOLATOR.
- POWDER COATED SPRING ELEMENTS.
- OTHER METALLIC COMPONENTS BRIGHT ZINC PLATED .
- MINIMUM OVERLOAD OF 50%.
- MINIMUM Kx/Ky RATIO OF 1.0.
- ALL ELEMENTS SAFE AT SOLID LOADING.
- ALL THREADED MEMBERS ARE AMERICAN STANDARD.



KINETICS NOISE CONTROL, INC  
 6300 IRELAN PL,  
 DUBLIN, OH 43017 USA  
 Ph: 614 889-0480, Fax: 614 889-0540  
 www.kineticsnoise.com

Model:  
**FMS-1-50/3500**

By: **BB**  
 Date: **02/11/08**  
 Revised: **/**

Drawing No:  
**S-01.40-12 METRIC**