

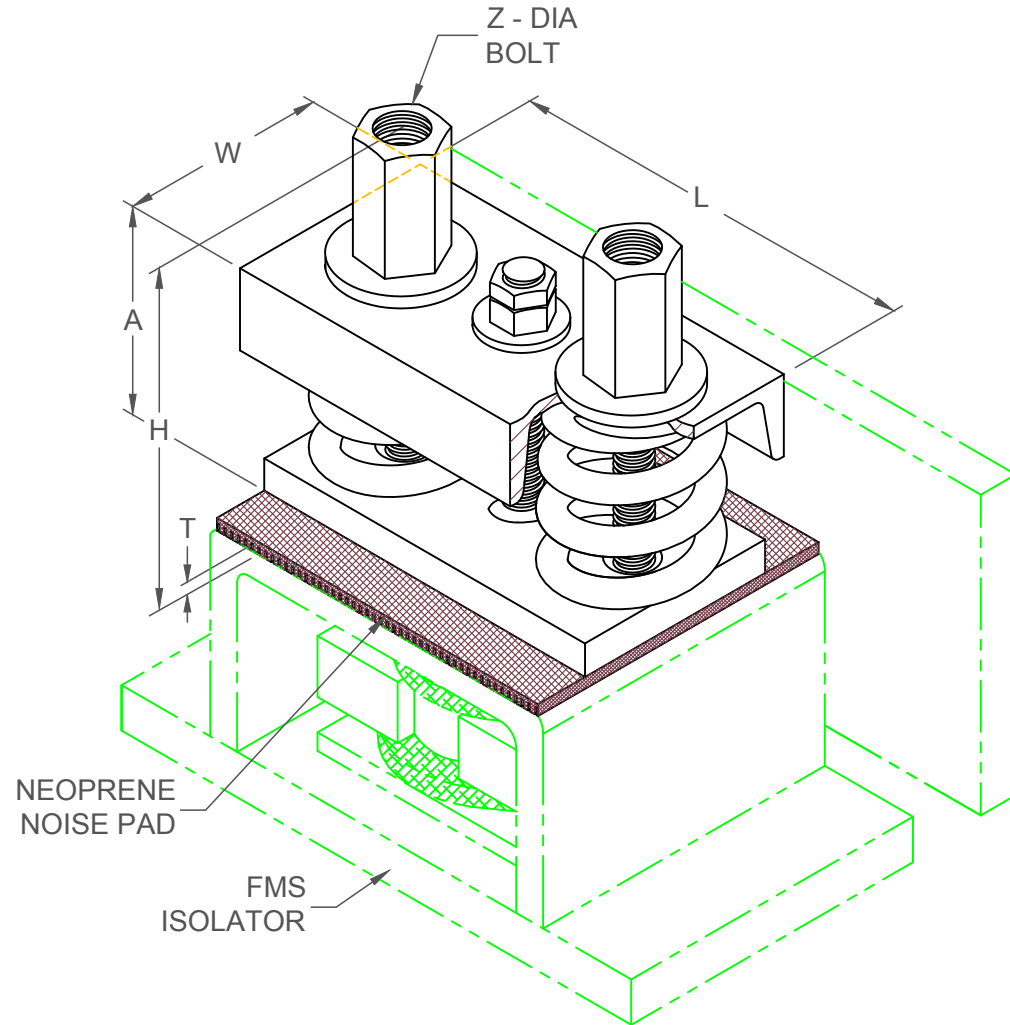
FMS 25 mm DEFLECTION ISOLATOR

S-I UNITS (mm AND kg)

TYPE	L	W	A	H	T	Z
1-3400/7000	216	102	133	202	6	19

STANDARD RATINGS		SPRING COIL					APPLICABLE MODELS	
TYPE	SIZE	COLOR		FREE HT.	O.D.	RATED		
		OUTER	INNER			LOAD		DEFL.
FMS	1-3400	ORANGE		107	76	1542	24	C, D, E
FMS	1-4200	ORANGE	GRAY	107	76	1905	24	C, D, E
FMS	1-4930	BLUE		107	76	2236	25	C, D, E
FMS	1-5730	BLUE	GRAY	107	76	2599	25	C, D, E
FMS	1-7000	BLUE	BROWN	107	76	3175	25	D, E

NOTE: FMS RESTRAINT SHOWN IS NOT TO SCALE. ACTUAL SIZE AND SHAPE MAY VARY. SEE CORRESPONDING FMS RESTRAINT SUBMITTAL FOR ACTUAL DIMENSIONS.



SPECIFICATIONS:

- FREE STANDING COIL SPRING ISOLATOR.
- POWDER COATED SPRING ELEMENTS AND LOAD PLATES.
- OTHER METALLIC COMPONENTS ARE BRIGHT ZINC PLATED.
- MINIMUM OVERLOAD OF 50%.
- MINIMUM Kx/Ky RATIO OF 1.0.
- ALL ELEMENTS SAFE AT SOLID LOADING.
- ALL THREADED FMS ARE AMERICAN STANDARD.