

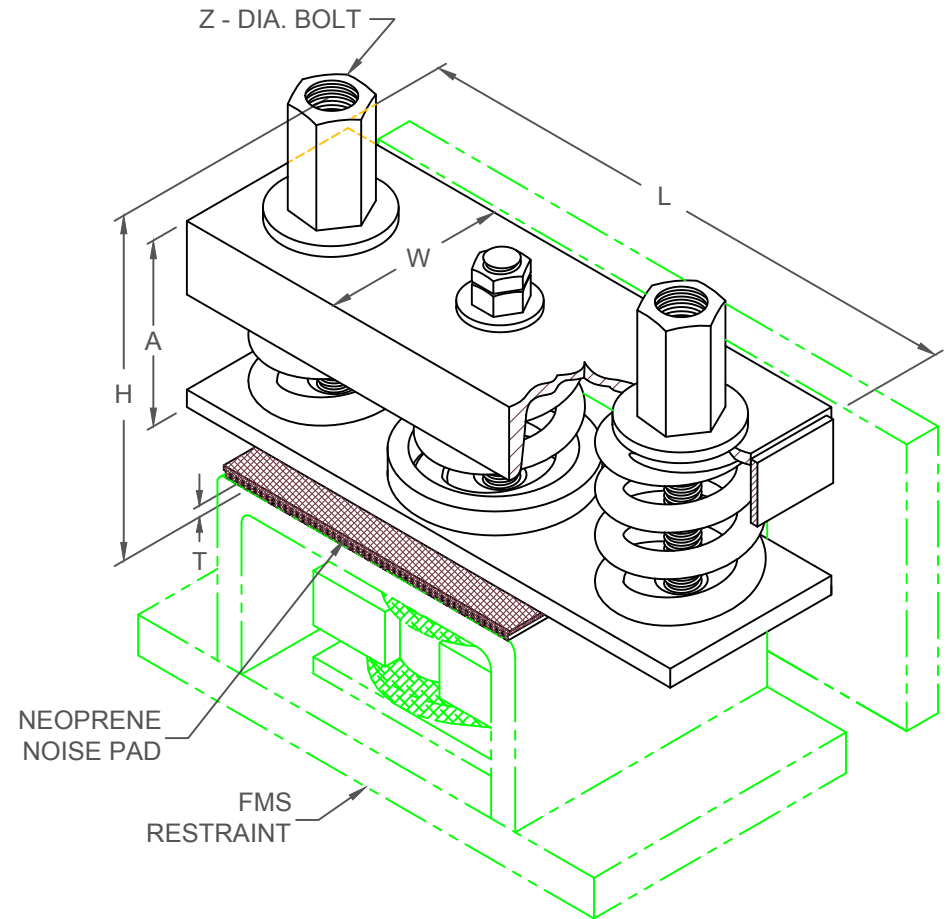
FMS 25 mm DEFLECTION ISOLATOR

S-I UNITS (mm AND kg)

TYPE	L	W	A	H	T	Z
1-3750/10500	270	102	134	202	6	19

STANDARD RATINGS		SPRING COIL						APPLICABLE MODELS
TYPE	SIZE	COLOR		FREE		RATED		
		OUTER	INNER	HT.	O.D.	LOAD	DEFL.	
FMS	1-3750	BROWN		107	76	1701	28	C, D, E
FMS	1-5100	ORANGE		107	76	2313	24	C, D, E
FMS	1-6300	ORANGE	GRAY	107	76	2858	24	C, D, E
FMS	1-7395	BLUE		107	76	3354	25	D, E
FMS	1-8595	BLUE	GRAY	107	76	3899	25	D, E
FMS	1-10500	BLUE	BROWN	107	76	4763	25	D, E

NOTE: FMS RESTRAINT SHOWN IS NOT TO SCALE. ACTUAL SIZE AND SHAPE MAY VARY. SEE CORRESPONDING FMS RESTRAINT SUBMITTAL FOR ACTUAL DIMENSIONS.



SPECIFICATIONS:

- FREE STANDING COIL SPRING ISOLATOR.
- POWDER COATED SPRING ELEMENTS AND LOAD PLATES.
- OTHER METALLIC COMPONENTS ARE BRIGHT ZINC PLATED.
- MINIMUM OVERLOAD OF 50%.
- MINIMUM K_x/K_y RATIO OF 1.0.
- ALL ELEMENTS SAFE AT SOLID LOADING.
- ALL THREADED MEMBERS ARE AMERICAN STANDARD.