

# FMS 2" SPRING COIL ASSEMBLY

NOTE: FMS RESTRAINT SHOWN IS NOT TO SCALE. ACTUAL SIZE AND SHAPE MAY VARY. SEE CORRESPONDING FMS RESTRAINT SUBMITTAL FOR ACTUAL DIMENSIONS.

TYPE	W	H	T	Z
2-2000/4500	6.00	TABLE 2	0.22	TABLE 2

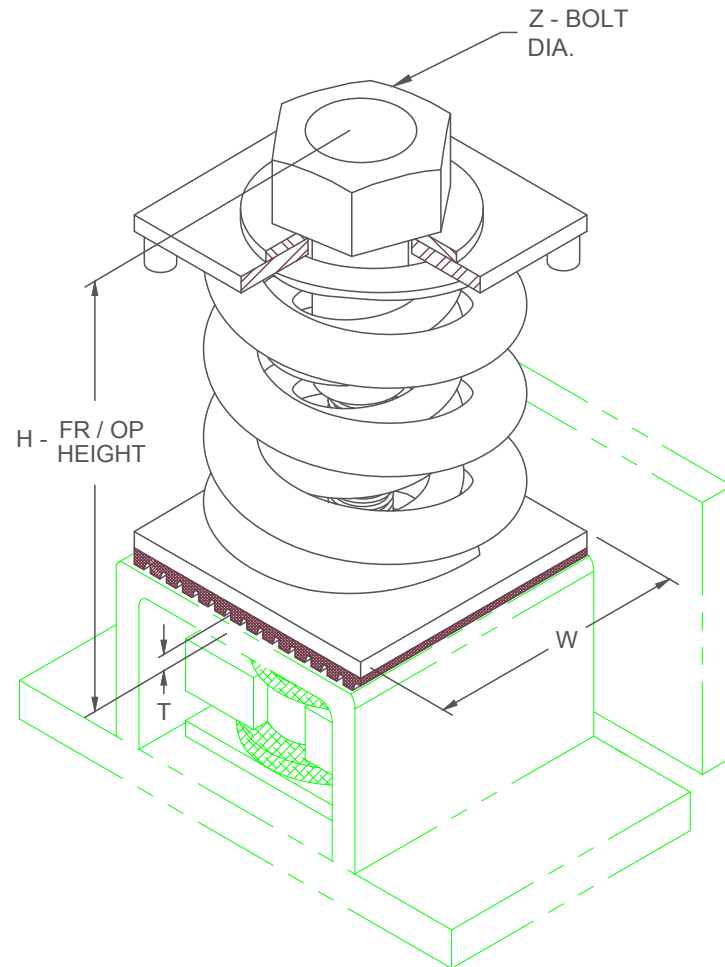
MODEL	RATED LOAD (LBS)	RATED DEFLECTION (IN)	EFFECTIVE SPRING RATE (LB/IN)	SPRING COLOR OUTER/MIDDLE/INNER
2-2000	2000	2.00	1000.00	ORANGE
2-2250	2250	2.00	1125.00	ORANGE/BLUE
2-2500	2500	2.00	1250.00	BLUE
2-2750	2750	2.00	1375.00	ORANGE/BLACK
2-3000	3000	2.00	1500.00	BLUE/GREEN
2-3600	3600	2.00	1800.00	ORANGE/RED
2-4500	4500	2.00	2250.00	BLUE/RED/GREEN

TABLE 2

TYPE	H	Z
FMSC	9.18	0.75
FMSD	9.18	0.75
FMSE	9.18	0.75

**SPECIFICATIONS:**

- FREE STANDING COIL SPRING ISOLATOR
- POWDER COATED SPRING ELEMENT
- OTHER METALLIC COMPONENTS BRIGHT ZINC PLATED
- MINIMUM OVERLOAD OF 50%.
- MINIMUM Kx/Ky RATIO OF 1.0.
- ALL ELEMENTS SAFE AT SOLID LOADING.
- ALL THREADED MEMBERS ARE AMERICAN STANDARD



KINETICS NOISE CONTROL, INC  
 6300 IRELAN PL,  
 DUBLIN, OH 43017 USA  
 Ph: 614 889-0480, Fax: 614 889-0540  
 www.kineticsnoise.com

Model:  
**FMS-2-  
 2000/4500**

By: **JMJ**  
 Date: **10/21/03**  
 Revised: **/**

Drawing No:  
**S-01.40-22**