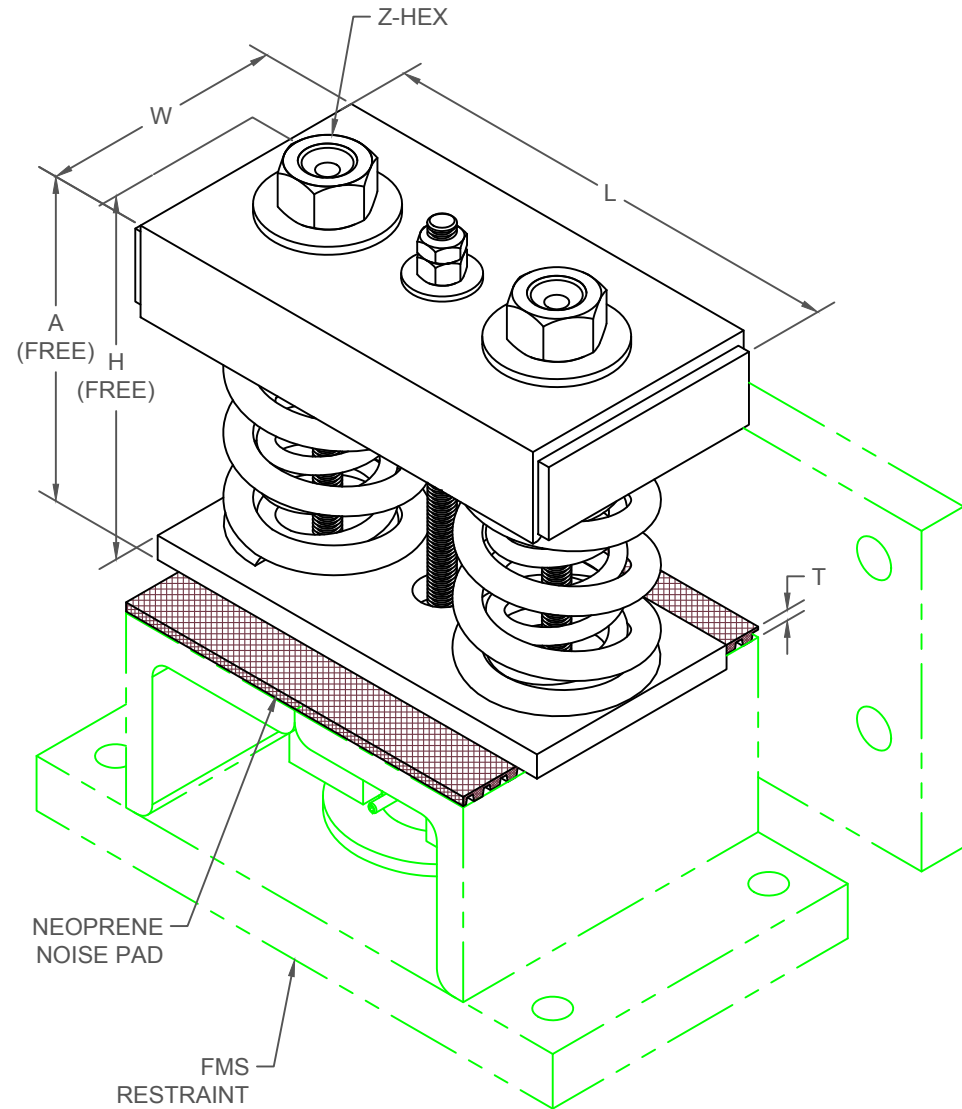


FMS 51 mm DEFLECTION ISOLATOR

S-I UNITS (mm AND kg)

TYPE	L	W	T	A	H	Z
2-1990/4000	249	127	6	176	208	38

STANDARD RATINGS				SPRING DATA				APPLICABLE RESTRAINT MODELS
TYPE	SIZE	LOAD	DEFL.	COLOR		FREE		
				OUTER	INNER	HT.	O.D.	
FMS	2-1990	903	51	ORANGE		155	89	B/C/D/E
FMS	2-2300	1043	51	BLACK	GREEN	155	89	B/C/D/E
FMS	2-2790	1266	51	ORANGE	GREEN	155	89	B/C/D/E
FMS	2-3200	1451	51	RED		155	89	B/C/D/E
FMS	2-4000	1814	51	RED	GREEN	155	89	B/C/D/E



SPECIFICATIONS:

- FREE STANDING COIL SPRING ISOLATOR.
- POWDER COATED SPRING ELEMENTS AND LOAD PLATES.
- OTHER METALLIC COMPONENTS ARE BRIGHT ZINC PLATED.
- MINIMUM OVERLOAD OF 50%.
- MINIMUM Kx/Ky RATIO OF 1.0.
- ALL ELEMENTS SAFE AT SOLID LOADING.
- ALL THREADED MEMBERS ARE AMERICAN STANDARD.



KINETICS NOISE CONTROL, INC
6300 IRELAN PL,
DUBLIN, OH 43017 USA
Ph: 614 889-0480, Fax: 614 889-0540
www.kineticsnoise.com

Model:
FMS-2-1990/4000

By: BB
Date: 11/17/16
Revised: /

Drawing No:
S-01.40-25 METRIC