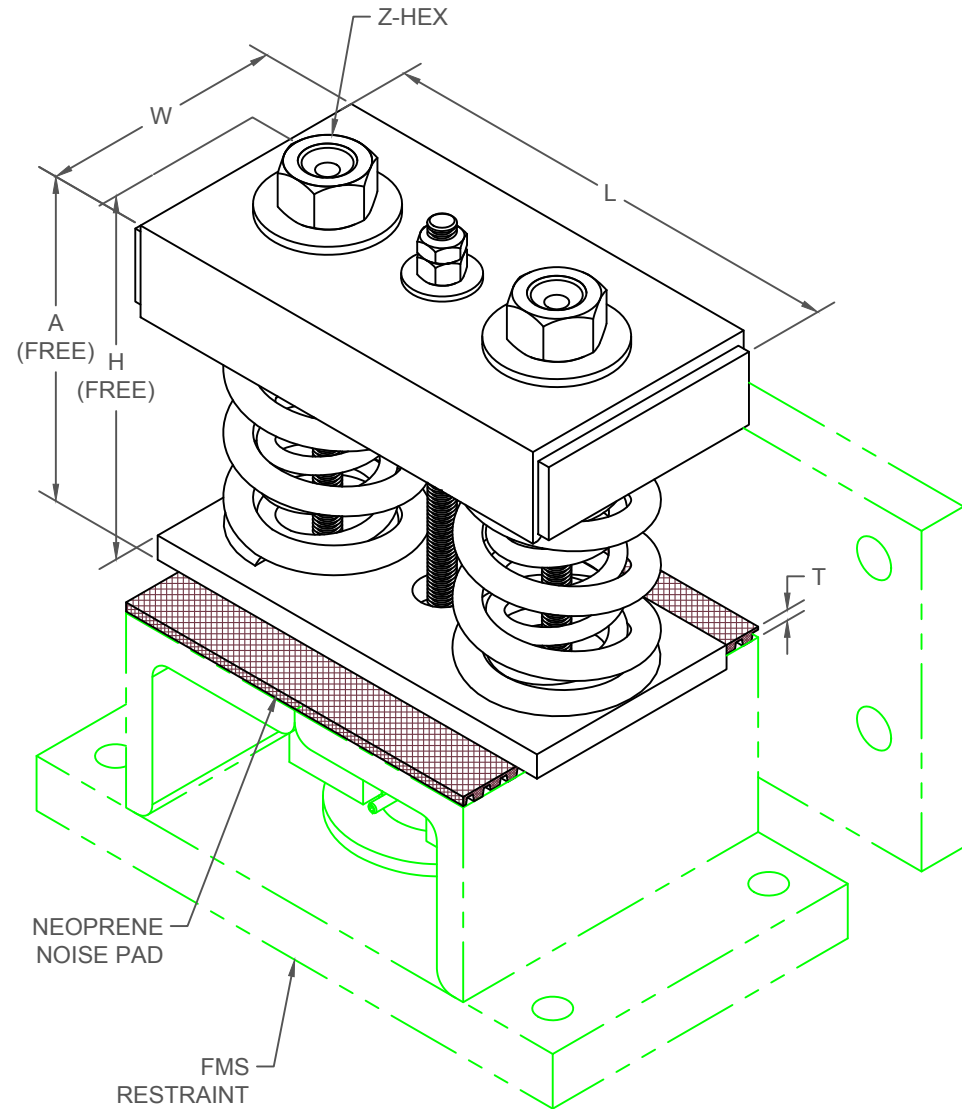


**FMS 2" DEFLECTION ISOLATOR**  
IP UNITS (INCHES AND POUNDS)

TYPE	L	W	T	A	H	Z
2-1990/4000	9.81	5.00	0.22	6.92	8.19	1.50

STANDARD RATINGS				SPRING DATA				APPLICABLE RESTRAINT MODELS
TYPE	SIZE	LOAD	DEFL.	COLOR		FREE	O.D.	
				OUTER	INNER	HT.		
FMS	2-1990	1990	2.00	ORANGE		6.09	3.50	B/C/D/E
FMS	2-2300	2300	2.00	BLACK	GREEN	6.09	3.50	B/C/D/E
FMS	2-2790	2790	2.00	ORANGE	GREEN	6.09	3.50	B/C/D/E
FMS	2-3200	3200	2.00	RED		6.09	3.50	B/C/D/E
FMS	2-4000	4000	2.00	RED	GREEN	6.09	3.50	B/C/D/E



**SPECIFICATIONS:**

- FREE STANDING COIL SPRING ISOLATOR.
- POWDER COATED SPRING ELEMENTS AND LOAD PLATES.
- OTHER METALLIC COMPONENTS ARE BRIGHT ZINC PLATED.
- MINIMUM OVERLOAD OF 50%.
- MINIMUM K<sub>x</sub>/K<sub>y</sub> RATIO OF 1.0.
- ALL ELEMENTS SAFE AT SOLID LOADING.
- ALL THREADED MEMBERS ARE AMERICAN STANDARD.



KINETICS NOISE CONTROL, INC  
6300 IRELAN PL,  
DUBLIN, OH 43017 USA  
Ph: 614 889-0480, Fax: 614 889-0540  
www.kineticsnoise.com

Model:  
**FMS-2-1990/4000**

By: BB  
Date: 11/17/16  
Revised: /

Drawing No:  
**S-01.40-25**