

IP UNITS (INCHES AND POUNDS)

TYPE	DIMENSION																			
	A	B	C	D	E	F	G	H	J	K	L	M	N	P	Q	R	S	T	U	V
FMSC	6.00	9.50	6.00	10.88	0.75	0.88	4.75	0.56	0.69	0.94	9.00	0.94	3.00	0.75	4.50	0.75	8.00	1.63	1.19	3.00

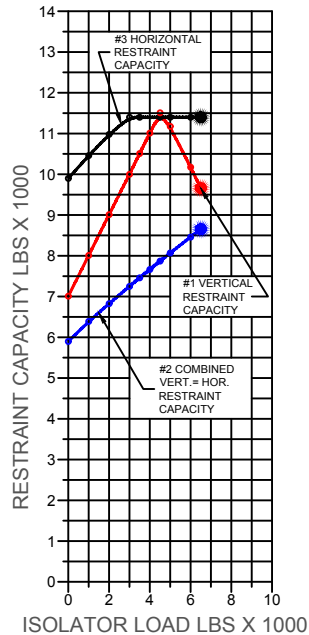


FIGURE 2
STEEL ATTACHMENT

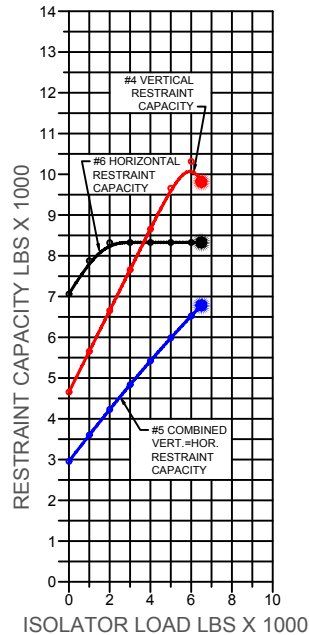


FIGURE 3
CONCRETE ATTACHMENT

FMSC REQUIRES 0.50 DIA X 3.50 MIN EMBED ANCHORS IN CONCRETE
(ALLOWABLE LOADS BASED ON 3000 PSI MIN CONCRETE)
FMSC ANCHOR BOLT TORQUE - 30 FT-LB, PULL TEST - 2000 LBS

RESTRAINT CAPACITY ENVELOPE GENERATION

RESTRAINT ONLY (NO SPRING ELEMENT)

1) READ THE ANCHORED (CONCRETE) OR BOLTED (STEEL) ENVELOPES DIRECTLY FROM FIGURE 1.

RESTRAINT WITH SPRING SUPPORT ELEMENT (ISOLATOR/RESTRAINT)

- 1) DETERMINE THE MAXIMUM EQUIPMENT LOAD SUPPORTED BY THE ISOLATOR(S)
- 2) IF THROUGH-BOLTED (STEEL), REFER TO FIGURE 2. IF ANCHORED (CONCRETE), REFER TO FIGURE 3.
- 3) PLOT THE VERTICAL RESTRAINT CAPACITY FROM CURVE #1 (FIGURE 2) OR #4 (FIGURE 3) ON THE VERTICAL AXIS OF FIGURE 1.
- 4) PLOT THE HORIZONTAL RESTRAINT CAPACITY FROM CURVE #3 (FIGURE 2) OR #6 (FIGURE 3) ON THE HORIZONTAL AXIS OF FIGURE 1.
- 5) PLOT THE COMBINED RESTRAINT CAPACITY FROM CURVE #2 (FIGURE 2) OR #5 (FIGURE 3) AT THE POINT ON FIGURE 1 WHERE THE VERTICAL AND HORIZONTAL FORCES BOTH MATCH THIS VALUE.
- 6) CONNECTING THESE POINTS CREATES AN ENVELOPE THAT SHOWS THE RESTRAINT'S CAPACITY WHEN SUBJECTED TO EQUIPMENT SUPPORT AND SEISMIC LOADS SIMULTANEOUSLY.
- 7) FOR THE RESTRAINT TO BE ADEQUATE, ALL WORST CASE SEISMIC LOADS MUST FALL WITHIN THE ENVELOPE.

SPECIFICATIONS:

- 3 AXIS RESTRAINT WITH REPLACEABLE NEOPRENE SNUBBING ELEMENTS.
- RESTRAINTS ARE POWDER COATED.
- HOUSINGS MAY BE USED FOR BLOCKING DURING EQUIPMENT ERECTION.
- CAN BE USED WITH OR WITHOUT SPRING COIL.

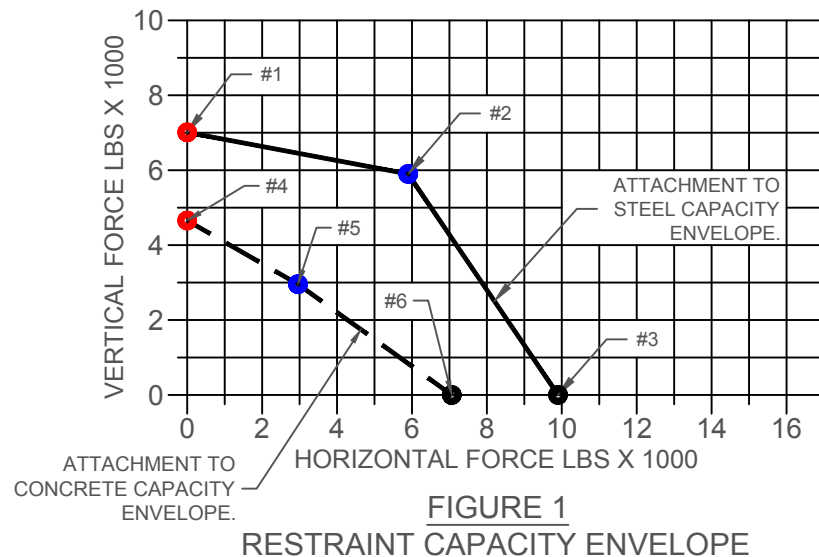
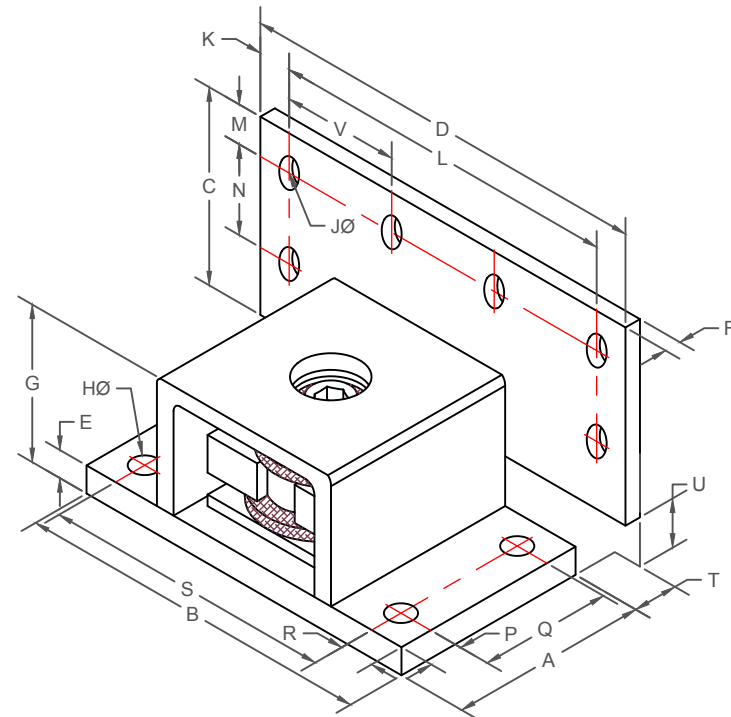


FIGURE 1
RESTRAINT CAPACITY ENVELOPE