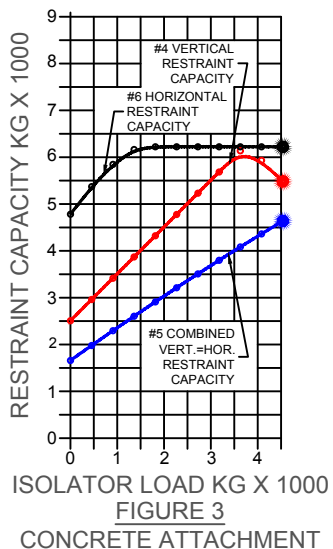
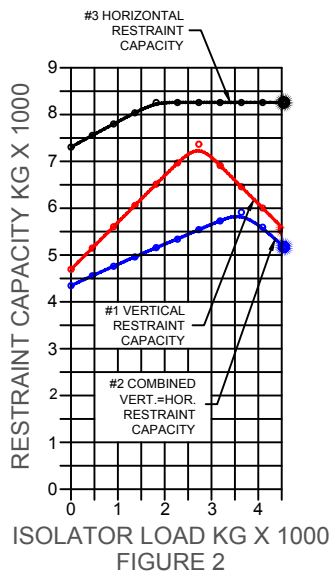


S-I UNITS (mm AND kg)																				
TYPE	DIMENSION																			
	A	B	C	D	E	F	G	H	J	K	L	M	N	P	Q	R	S	T	U	V
FMSD	178	311	178	349	32	25	133	17	21	29	146	292	29	89	24	130	24	264	51	32



FMSD REQUIRES 16 X 102 MIN EMBED ANCHORS IN CONCRETE
 (ALLOWABLE LOADS BASED ON 20700 kPa MIN CONCRETE)
 FMSD ANCHOR BOLT TORQUE - 102 N-M, PULL TEST - 1211 KG

RESTRAINT CAPACITY ENVELOPE GENERATION

RESTRAINT ONLY (NO SPRING ELEMENT)

1) READ THE ANCHORED (CONCRETE) OR BOLTED (STEEL) ENVELOPES DIRECTLY FROM FIGURE 1.

RESTRAINT WITH SPRING SUPPORT ELEMENT (ISOLATOR/RESTRAINT)

- 1) DETERMINE THE MAXIMUM EQUIPMENT LOAD SUPPORTED BY THE ISOLATOR(S)
- 2) IF THROUGH-BOLTED (STEEL), REFER TO FIGURE 2. IF ANCHORED (CONCRETE), REFER TO FIGURE 3.
- 3) PLOT THE VERTICAL RESTRAINT CAPACITY FROM CURVE #1 (FIGURE 2) OR #4 (FIGURE 3) ON THE VERTICAL AXIS OF FIGURE 1.
- 4) PLOT THE HORIZONTAL RESTRAINT CAPACITY FROM CURVE #3 (FIGURE 2) OR #6 (FIGURE 3) ON THE HORIZONTAL AXIS OF FIGURE 1.
- 5) PLOT THE COMBINED RESTRAINT CAPACITY FROM CURVE #2 (FIGURE 2) OR #5 (FIGURE 3) AT THE POINT ON FIGURE 1 WHERE THE VERTICAL AND HORIZONTAL FORCES BOTH MATCH THIS VALUE.
- 6) CONNECTING THESE POINTS CREATES AN ENVELOPE THAT SHOWS THE RESTRAINT'S CAPACITY WHEN SUBJECTED TO EQUIPMENT SUPPORT AND SEISMIC LOADS SIMULTANEOUSLY.
- 7) FOR THE RESTRAINT TO BE ADEQUATE, ALL WORST CASE SEISMIC LOADS MUST FALL WITHIN THE ENVELOPE.

SPECIFICATIONS:

- 3 AXIS RESTRAINT WITH REPLACEABLE NEOPRENE SNUBBING ELEMENTS.
- RESTRAINTS ARE POWDER COATED.
- HOUSINGS MAY BE USED FOR BLOCKING DURING EQUIPMENT ERECTION.
- CAN BE USED WITH OR WITHOUT SPRING COIL.

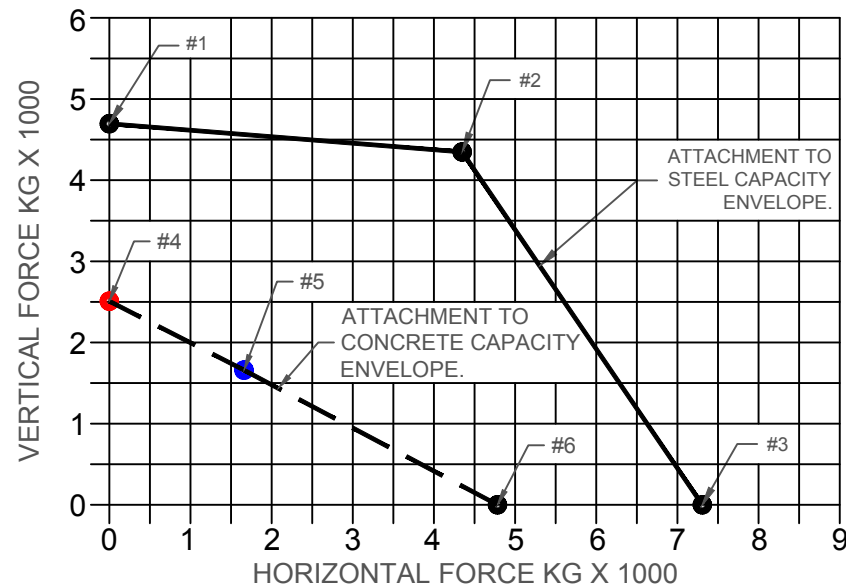
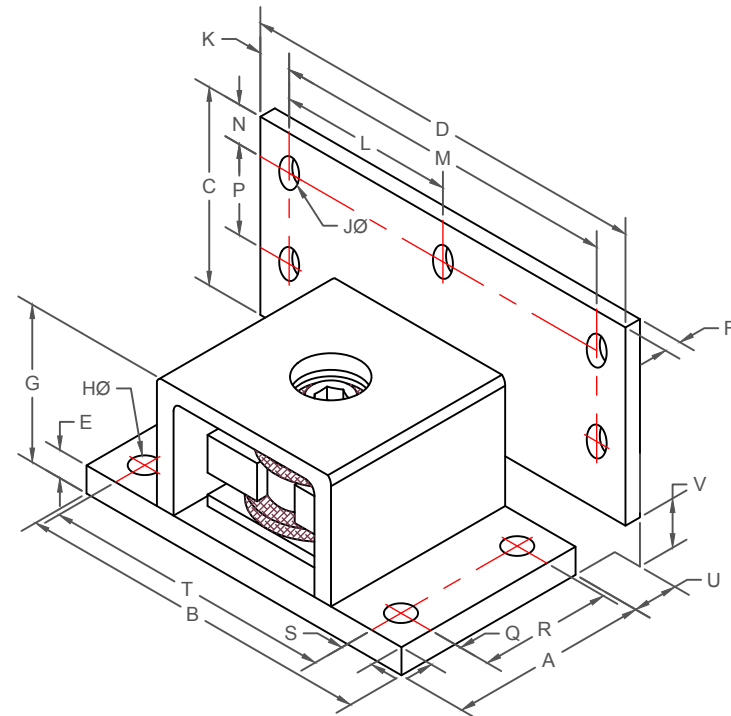


FIGURE 1
 RESTRAINT CAPACITY ENVELOPE