

FMS 4" SPRING COIL ASSEMBLY

NOTE: FMS RESTRAINT SHOWN IS NOT TO SCALE. ACTUAL SIZE AND SHAPE MAY VARY. SEE CORRESPONDING FMS RESTRAINT SUBMITTAL FOR ACTUAL DIMENSIONS.

TYPE	W	H	T	Z
4-2250/5800	8.00	TABLE 2	0.25	TABLE 2

MODEL	RATED LOAD (LBS)	RATED DEFLECTION (IN)	EFFECTIVE SPRING RATE (LB/IN)	SPRING COLOR OUTER/INNER
4-2250	2250	4.00	562.50	BEIGE
4-2500	2500	4.00	625.00	BEIGE/BLUE
4-2750	2750	4.00	687.50	BEIGE/GREEN
4-3000	3000	4.00	750.00	BEIGE/BLACK
4-3250	3250	4.00	812.50	BEIGE/RED
4-3500	3500	4.00	875.00	BEIGE/BROWN
4-3850	3850	4.00	962.50	BEIGE/ORANGE
4-4200	4200	4.00	1050.00	CHROME
4-4450	4450	4.00	1112.50	CHROME/BLUE
4-4700	4700	4.00	1175.00	CHROME/GREEN
4-4950	4950	4.00	1237.50	CHROME/BLACK
4-5200	5200	4.00	1300.00	CHROME/RED
4-5450	5450	4.00	1362.50	CHROME/BROWN
4-5800	5800	4.00	1450.00	CHROME/ORANGE

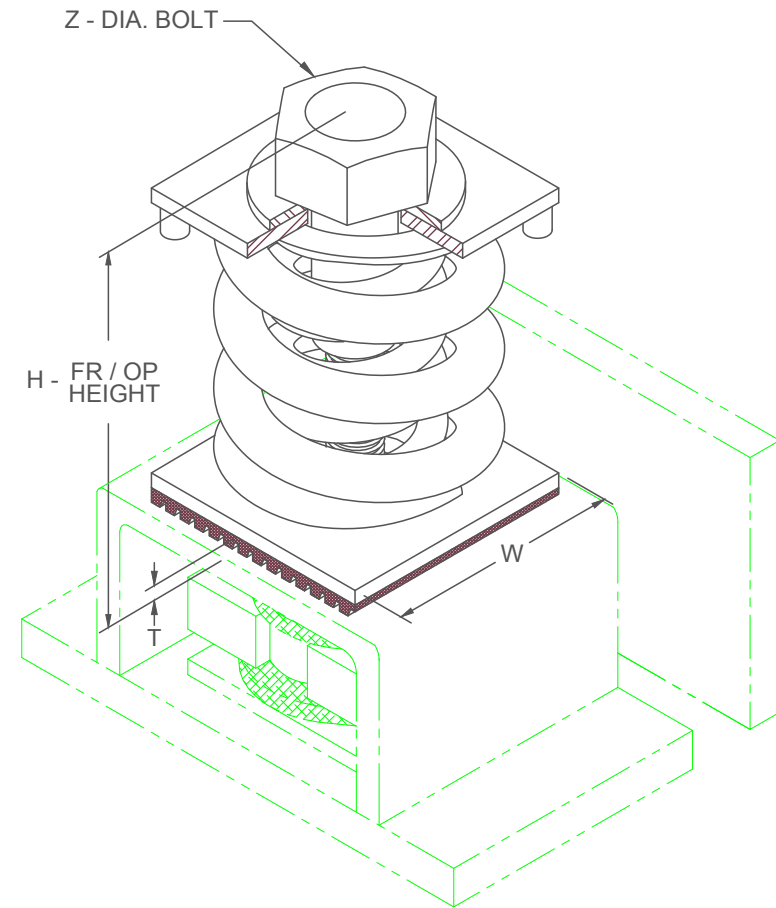


TABLE 2

TYPE	H	Z
FMSC	13.84	0.75
FMSD	13.84	0.75
FMSE	13.84	0.75

SPECIFICATIONS:

- FREE STANDING COIL SPRING ISOLATOR
- POWDER COATED SPRING ELEMENT
- OTHER METALLIC COMPONENTS BRIGHT ZINC PLATED
- MINIMUM OVERLOAD OF 50%.
- MINIMUM Kx/Ky RATIO OF 1.0.
- ALL ELEMENTS SAFE AT SOLID LOADING.
- ALL THREADED MEMBERS ARE AMERICAN STANDARD



KINETICS NOISE CONTROL, INC
 6300 IRELAN PL,
 DUBLIN, OH 43017 USA
 Ph: 614 889-0480, Fax: 614 889-0540
 www.kineticsnoise.com

Model:
FMS-4-2250/5800

By: **JMJ**
 Date: **10/14/03**
 Revised: **/**

Drawing No:
S-01.40-42