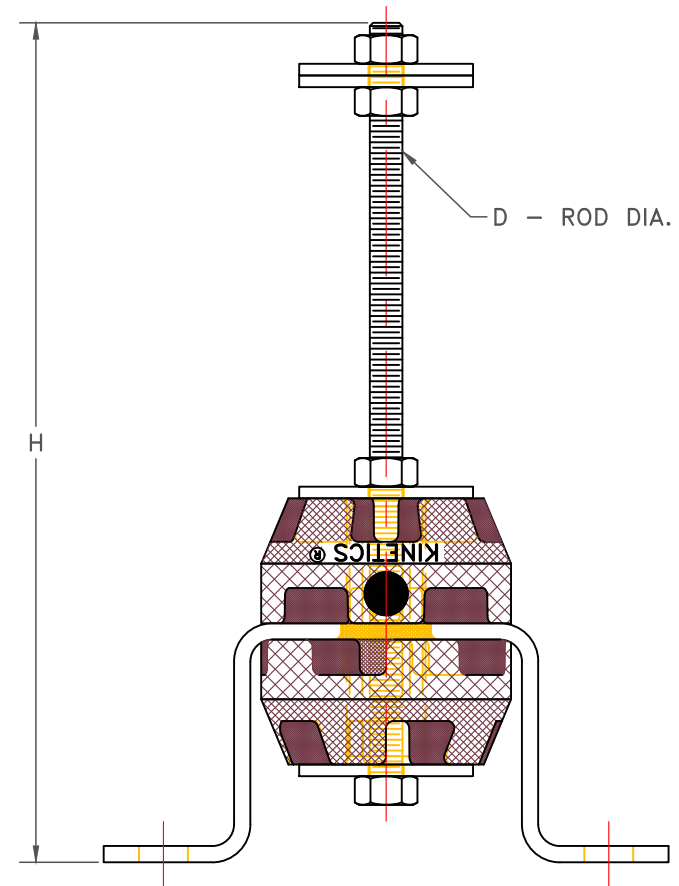
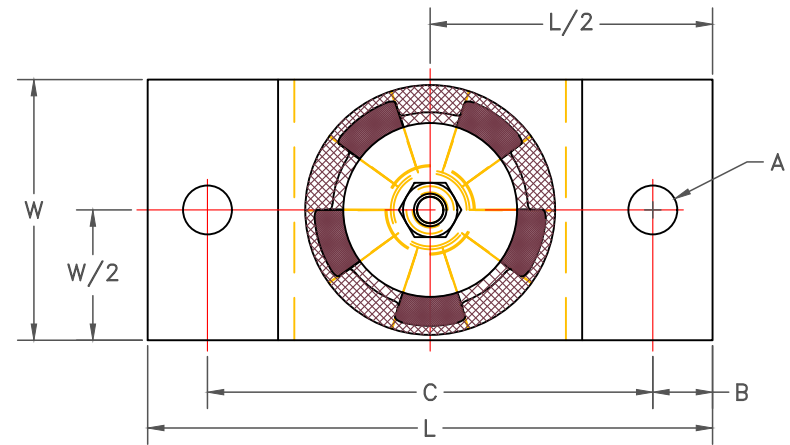


PSB WALL RESTRAINT							
IP UNITS (INCHES AND POUNDS)							
TYPE	A	B	C	D	H	L	W
175/2000	0.56	0.69	5.13	0.38	9.66	6.50	3.00

STANDARD RATINGS				
TYPE	SIZE	INSERT COLOR	DURO-METER	RATED LOAD
PSB	175	RED	40	175
PSB	300	GREEN	50	300
PSB	450	WHITE	60	450
PSB	750	PURPLE	70	750
PSB	1100	YELLOW	80	1100
PSB	2000	PINK	90	2000



**SPECIFICATIONS:**

- ISOLATORS ARE DESIGNED TO LIMIT WALL MOTION.
- ALL HARDWARE IS ZINC PLATED.
- BASE BRACKET IS ZINC PLATED.



KINETICS NOISE CONTROL, INC  
 6300 IRELAN PL,  
 DUBLIN, OH 43017 USA  
 Ph: 614 889-0480, Fax: 614 889-0540  
 www.kineticsnoise.com

Model:  
**PSB-175/2000**

By: PWM  
 Date: 07/11/03  
 Revised: 11/22/10 / BB

Drawing No:  
**S-02.07-11**