

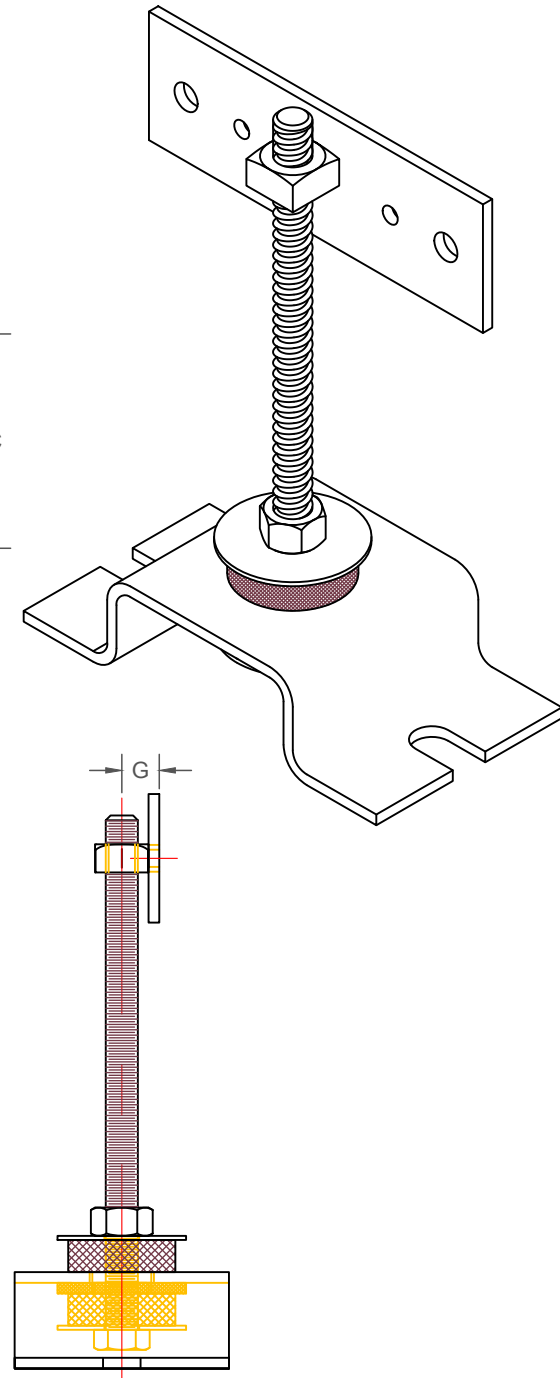
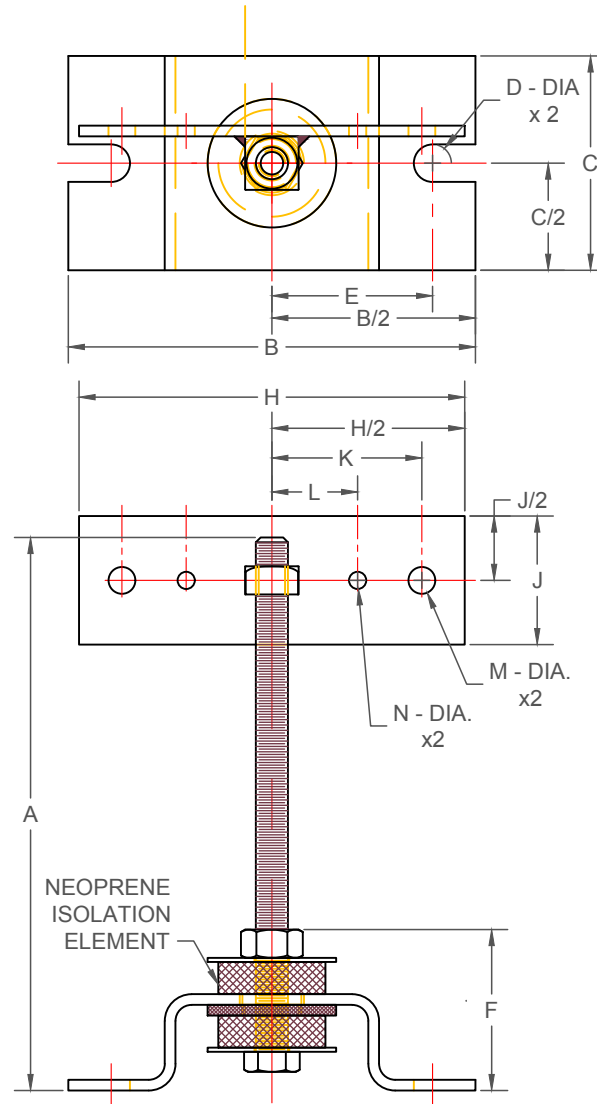
# PSB-S-75/125

I-P UNITS (INCHES AND POUNDS)

MODEL	RATED			DURO	COLOR
	LOAD	DEFL.	NATURAL FREQUENCY		
PSB-S-75	75.0	0.10	10.0	35	BLACK
PSB-S-125	125.0	0.10	10.0	60	BLACK

## DIMENSION

A	B	C	D	E	F	G	H	J	K	L	M	N
6.45	4.75	2.50	0.44	1.88	1.88	0.44	4.50	1.50	1.75	1.00	0.31	0.19



### SPECIFICATIONS:

- ISOLATORS ARE DESIGNED TO LIMIT WALL MOTION.
- ISOLATOR BRACKETS AND HARDWARE ARE ZINC PLATED STEEL.