

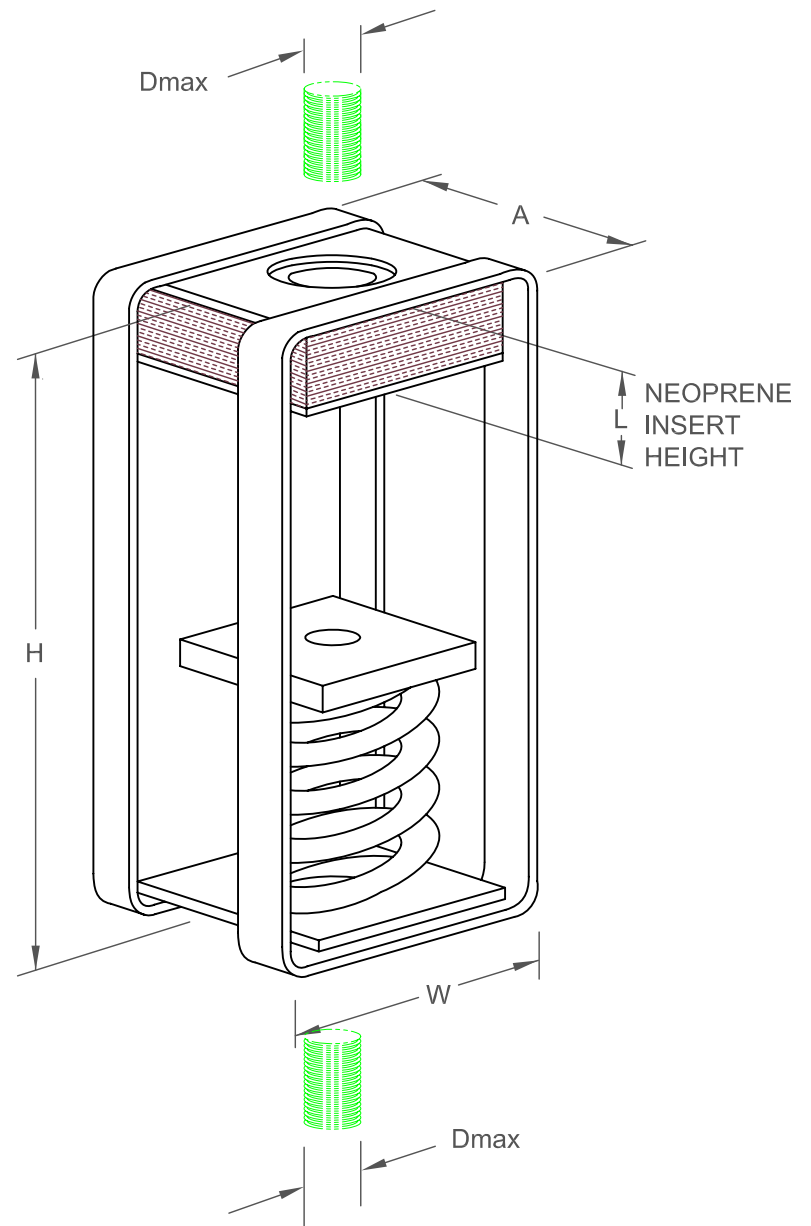
# SFH 2" DEFLECTION ISOLATION HANGER

| TYPE        | L    | H     | W    | A    | Dmax |
|-------------|------|-------|------|------|------|
| 2-2000/2500 | 1.25 | 12.00 | 6.00 | 6.00 | 1.00 |

I-P UNITS (INCHES AND POUNDS)

## STANDARD RATINGS

| TYPE | SIZE   | COIL   | COIL FREE HT | O.D. | RATED LOAD |
|------|--------|--------|--------------|------|------------|
| SFH  | 2-2000 | ORANGE | 7.00         | 5.00 | 2000       |
| SFH  | 2-2500 | BLUE   | 7.00         | 5.00 | 2500       |



## SPECIFICATIONS:

- SPRING ELEMENTS AND BRACKETS ARE POWDER COATED
- LOAD PLATES ARE BRIGHT ZINC PLATED
- ISOLATION HANGERS HAVE A TYPICAL OVERLOAD OF 50%
- ISOLATION HANGERS HAVE A MINIMUM  $K_x/K_y$  RATIO OF 1.0
- SPRING ELEMENTS ARE SAFE AT SOLID LOADING
- HANGER BRACKETS WILL CARRY (5) TIMES OVERLOAD WITHOUT FAILURE
- HANGER BRACKETS WILL ALLOW 30° ROD MISALIGNMENT WITHOUT SHORT CIRCUITING



KINETICS NOISE CONTROL, INC  
6300 IRELAN PL,  
DUBLIN, OH 43017 USA  
Ph: 614 889-0480, Fax: 614 889-0540  
www.kineticsnoise.com

Model:  
SFH  
2-2000/2500

By: JMJ  
Date: 10/28/03  
Revised: 08/23/04 / BB

Drawing No:  
S-03.35-23

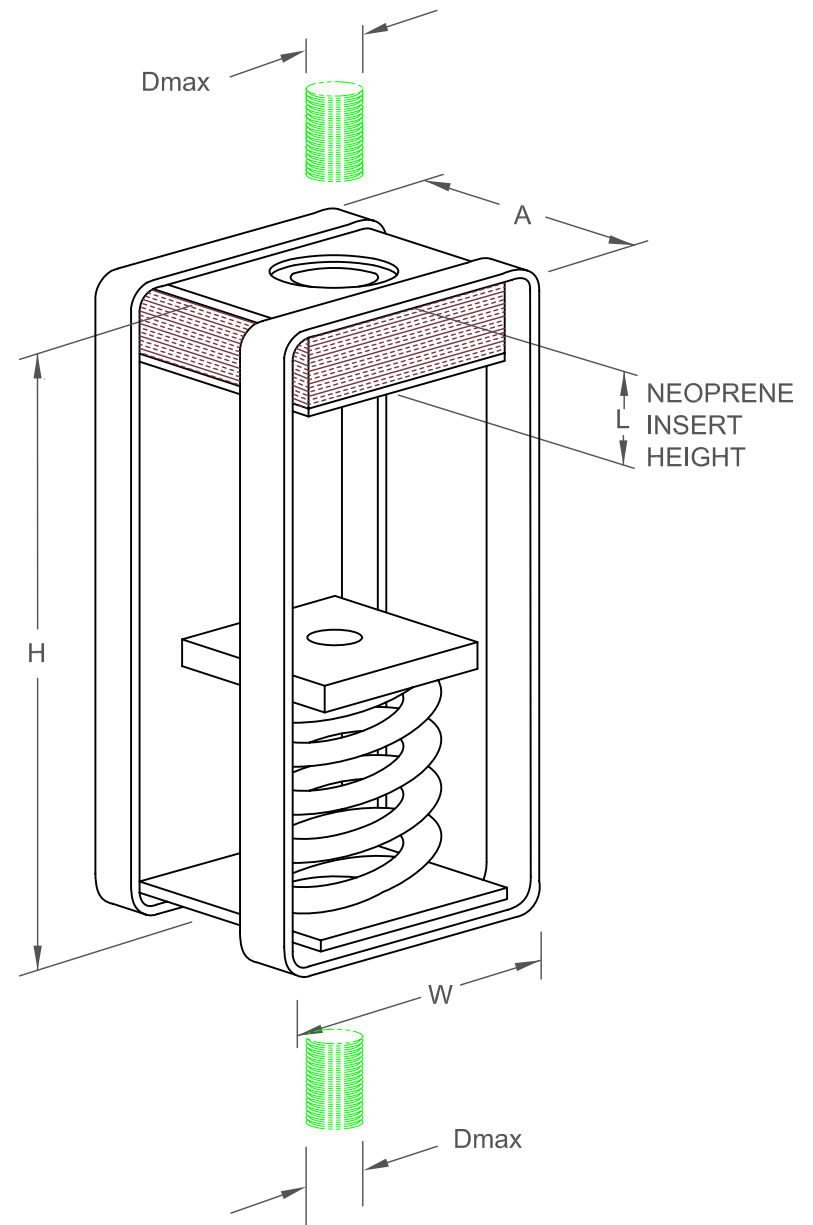
# SFH 51mm DEFLECTION ISOLATION HANGER

| TYPE        | L  | H   | W   | A   | Dmax |
|-------------|----|-----|-----|-----|------|
| 2-2000/2500 | 32 | 305 | 152 | 152 | 25   |

S-I UNITS (MM AND KG)

## STANDARD RATINGS

| TYPE | SIZE   | COIL   | COIL FREE HT | O.D. | RATED LOAD |
|------|--------|--------|--------------|------|------------|
| SFH  | 2-2000 | ORANGE | 178          | 127  | 909        |
| SFH  | 2-2500 | BLUE   | 178          | 127  | 1136       |



## SPECIFICATIONS:

- SPRING ELEMENTS AND BRACKETS ARE POWDER COATED
- LOAD PLATES ARE BRIGHT ZINC PLATED
- ISOLATION HANGERS HAVE A TYPICAL OVERLOAD OF 50%
- ISOLATION HANGERS HAVE A MINIMUM  $K_x/K_y$  RATIO OF 1.0
- SPRING ELEMENTS ARE SAFE AT SOLID LOADING
- HANGER BRACKETS WILL CARRY (5) TIMES OVERLOAD WITHOUT FAILURE
- HANGER BRACKETS WILL ALLOW 30° ROD MISALIGNMENT WITHOUT SHORT CIRCUITING



KINETICS NOISE CONTROL, INC  
 6300 IRELAN PL,  
 DUBLIN, OH 43017 USA  
 Ph: 614 889-0480, Fax: 614 889-0540  
 www.kineticsnoise.com

Model:  
**SFH**  
**2-2000/2500**

By: **JMJ**  
 Date: **10/28/03**  
 Revised: **08/23/04 / BB**

Drawing No:  
**S-03.35-23(M)**