

SFH 1" DEFLECTION ISOLATION HANGERS

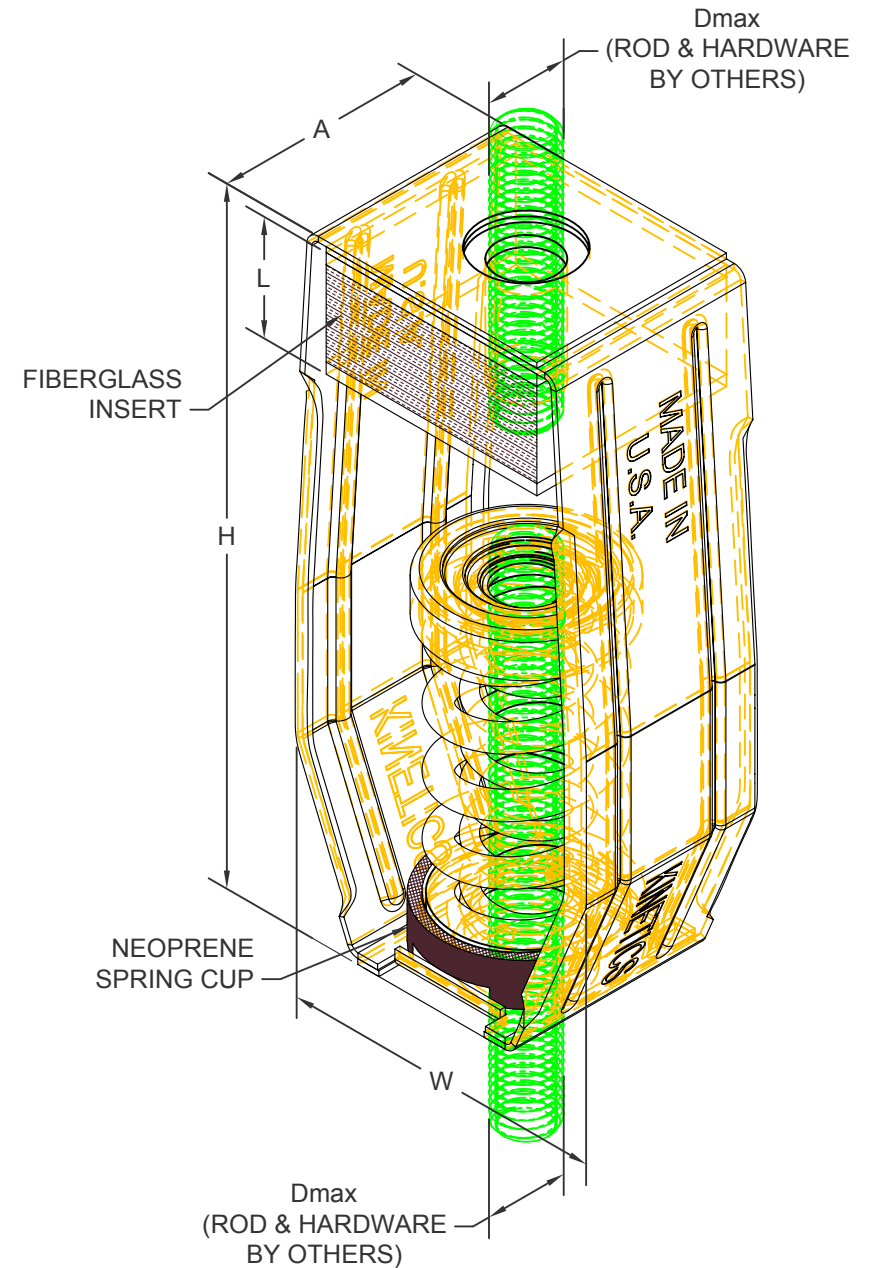
IP UNITS (INCHES AND POUNDS)

TYPE	L	H	W	A	D _{MAX}
1-35/370	1.13	7.38	3.69	2.25	0.63
1-500/805	1.25	7.38	3.69	2.25	0.63

STANDARD RATINGS				SPRING COIL				FIBERGLASS INSERT DENSITY
TYPE	SIZE	LOAD	DEFL.	COLOR		FREE HT.	O.D.	
SFH	1-35	35	1.72	BLUE		3.19	1.75	G
SFH	1-70	70	1.63	GREEN		3.19	1.75	G
SFH	1-125	125	1.57	GRAY		3.19	1.75	G
SFH	1-245	245	1.46	BROWN		3.19	1.75	L
SFH	1-370	370	1.12	ORANGE		3.19	1.75	Q
SFH	1-500	500	1.07	BEIGE		3.19	1.75	R
SFH	1-600	600	1.08	CHROME		3.19	1.75	R
*SFH	1-700	700	1.08	BEIGE	WHITE	3.19	1.75	R
*SFH	1-805	805	1.10	CHROME	WHITE	3.19	1.75	R

SPECIFICATIONS:

- SPRING ELEMENTS AND HOUSING ARE POWDER COATED,
- LOAD PLATES ARE BRIGHT ZINC PLATED.
- ISOLATION HANGERS HAVE A TYPICAL OVERLOAD OF 50%.
- ISOLATION HANGERS HAVE A MINIMUM K_x/K_y RATIO OF 1.0.
- SPRING ELEMENTS ARE SAFE AT SOLID LOADING.
- HANGER BRACKETS WILL CARRY AT LEAST (5) TIMES OVERLOAD WITHOUT FAILURE.
- HANGER BRACKETS WILL ALLOW 30° ROD MISALIGNMENT WITHOUT SHORT CIRCUITING EXCEPT AS NOTED.*
- ISOLATION HANGERS INCORPORATE "NO SHORT" STEP SPRING CAP.



KINETICS NOISE CONTROL, INC
6300 IRELAN PL,
DUBLIN, OH 43017 USA
Ph: 614 889-0480, Fax: 614 889-0540
www.kineticsnoise.com

Model:
SFH-1
35/805

By: JMJ
Date: 03/10/03
Revised: 09/05/14 / BB

Drawing No:
S-03.35-11

SFH 25 mm DEFLECTION ISOLATION HANGERS

S-I UNITS (mm AND kg)

TYPE	L	H	W	A	D _{MAX}
1-35/370	29	187	94	57	16
1-500/805	32	187	94	57	16

STANDARD RATINGS				SPRING COIL				FIBERGLASS INSERT DENSITY
TYPE	SIZE	LOAD	DEFL.	COLOR		FREE HT.	O.D.	
				OUTER	INNER			
SFH	1-35	16	44	BLUE		81	44	G
SFH	1-70	32	41	GREEN		81	44	G
SFH	1-125	57	40	GRAY		81	44	G
SFH	1-245	111	37	BROWN		81	44	L
SFH	1-370	168	28	ORANGE		81	44	Q
SFH	1-500	227	27	BEIGE		81	44	R
SFH	1-600	272	27	CHROME		81	44	R
*SFH	1-700	318	28	BEIGE	WHITE	81	44	R
*SFH	1-805	365	28	CHROME	WHITE	81	44	R

SPECIFICATIONS:

- SPRING ELEMENTS AND HOUSING ARE POWDER COATED,
- LOAD PLATES ARE BRIGHT ZINC PLATED.
- ISOLATION HANGERS HAVE A TYPICAL OVERLOAD OF 50%.
- ISOLATION HANGERS HAVE A MINIMUM K_x/K_y RATIO OF 1.0.
- SPRING ELEMENTS ARE SAFE AT SOLID LOADING.
- HANGER BRACKETS WILL CARRY AT LEAST (5) TIMES OVERLOAD WITHOUT FAILURE.
- HANGER BRACKETS WILL ALLOW 30° ROD MISALIGNMENT WITHOUT SHORT CIRCUITING EXCEPT AS NOTED.*
- ISOLATION HANGERS INCORPORATE "NO SHORT" STEP SPRING CAP.

