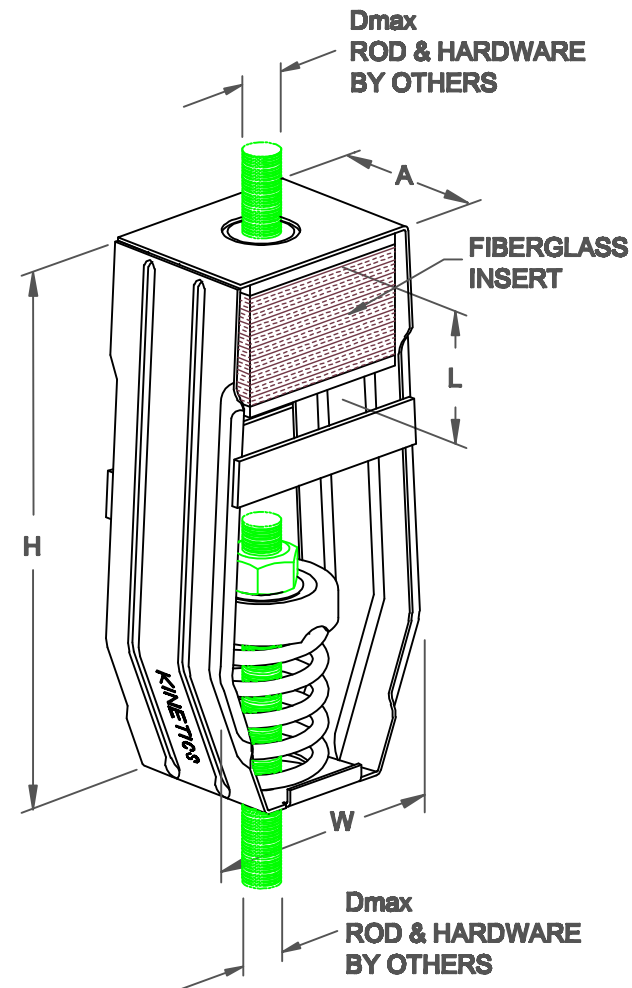


# SFH 1" DEFLECTION ISOLATION HANGERS

IP UNITS (INCHES AND POUNDS)

TYPE	L	H	W	A	DMAX
1-1250/1700	1.50	8.59	5.58	3.63	1.00

STANDARD RATINGS				SPRING COIL			FIBERGLASS INSERT
TYPE	SIZE	LOAD	DEFL.	COLOR	FREE HT.	O.D.	DENSITY
SFH	1-1250	1250	1.18	BROWN	4.20	3.00	R
SFH	1-1700	1700	1.05	ORANGE	4.20	3.00	R



## SPECIFICATIONS:

- SPRING ELEMENTS AND BRACKETS ARE POWDER COATED.
- LOAD PLATES ARE BRIGHT ZINC PLATED.
- ISOLATION HANGERS HAVE A TYPICAL OVERLOAD OF 50%.
- ISOLATION HANGERS HAVE A MINIMUM  $K_x/K_y$  RATIO OF 1.2.
- SPRING ELEMENTS ARE SAFE AT SOLID LOADING.
- HANGER BRACKETS WILL CARRY (5) TIMES OVERLOAD WITHOUT FAILURE.
- HANGER BRACKETS WILL ALLOW 30° ROD MISALIGNMENT WITHOUT SHORT CIRCUITING.
- ISOLATION HANGERS INCORPORATE "NO SHORT" STEP CAP.



KINETICS NOISE CONTROL, INC  
 8300 IRELAN PL,  
 DUBLIN, OH 43017 USA  
 Ph: 614 889-0480, Fax: 614 889-0540  
 www.kineticsnoise.com

Model:  
**SFH-**  
**1-1250/1700**

By: **JMJ**  
 Date: **10/24/03**  
 Revised: **03/27/09 / BB**

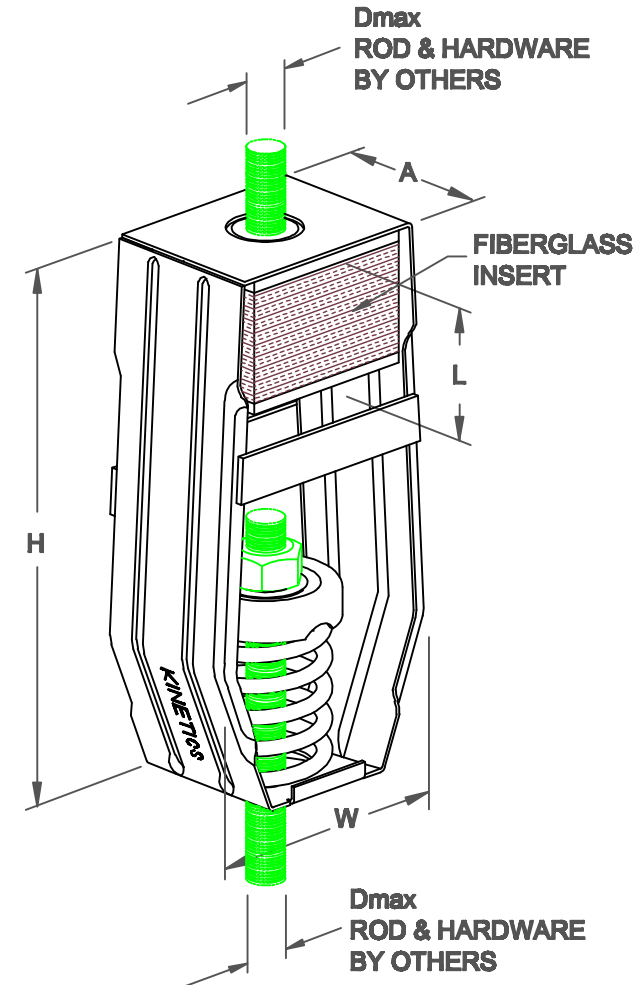
Drawing No:  
**S-03-35-13**

## SFH 25 mm DEFLECTION ISOLATION HANGERS

S-I UNITS (mm AND kg)

TYPE	L	H	W	A	DMAX
1-1250/1700	38	218	142	92	25

STANDARD RATINGS				SPRING COIL			FIBERGLASS INSERT DENSITY
TYPE	SIZE	LOAD	DEFL.	COLOR	FREE HT.	O.D.	
SFH	1-1250	567	30	BROWN	107	76	R
SFH	1-1700	771	27	ORANGE	107	76	R



### SPECIFICATIONS:

- SPRING ELEMENTS AND BRACKETS ARE POWDER COATED.
- LOAD PLATES ARE BRIGHT ZINC PLATED.
- ISOLATION HANGERS HAVE A TYPICAL OVERLOAD OF 50%.
- ISOLATION HANGERS HAVE A MINIMUM  $K_x/K_y$  RATIO OF 1.2.
- SPRING ELEMENTS ARE SAFE AT SOLID LOADING.
- HANGER BRACKETS WILL CARRY (5) TIMES OVERLOAD WITHOUT FAILURE.
- HANGER BRACKETS WILL ALLOW 30° ROD MISALIGNMENT WITHOUT SHORT CIRCUITING.
- ISOLATION HANGERS INCORPORATE "NO SHORT" STEP CAP.



KINETICS NOISE CONTROL, INC  
6300 IRELAN PL,  
DUBLIN, OH 43017 USA  
Ph: 614 889-0480, Fax: 614 889-0540  
www.kineticnoise.com

Model:  
SFH-  
1-1250/1700

By: JMJ  
Date: 10/24/03  
Revised: 03/27/09 / BB

Drawing No:  
S-03.35-13  
METRIC