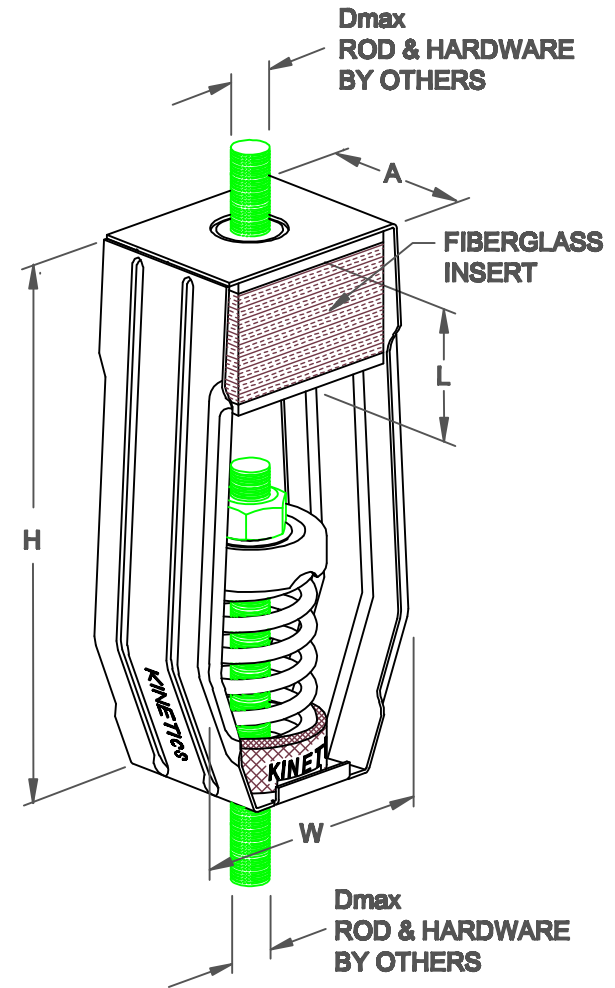


SFH 2" DEFLECTION ISOLATION HANGERS

IP UNITS (INCHES AND POUNDS)

TYPE	L	H	W	A	DMAX
2-35/220	1.13	7.38	3.69	2.25	0.63

STANDARD RATINGS				SPRING COIL			FIBERGLASS INSERT DENSITY
TYPE	SIZE	LOAD	DEFL.	COLOR	FREE HT.	O.D.	DENSITY
SFH	2-35	35	2.00	BLUE	4.13	1.75	Q
SFH	2-70	70	2.00	GREEN	4.13	1.75	Q
SFH	2-120	120	2.00	GRAY	4.13	1.75	Q
SFH	2-220	220	2.13	BROWN	4.13	1.75	Q



SPECIFICATIONS:

- SPRING ELEMENTS AND BRACKETS ARE POWDER COATED.
- LOAD PLATES ARE BRIGHT ZINC PLATED.
- ISOLATION HANGERS HAVE A TYPICAL OVERLOAD OF 50%.
- ISOLATION HANGERS HAVE A MINIMUM K_x/K_y RATIO OF 1.1.
- SPRING ELEMENTS ARE SAFE AT SOLID LOADING.
- HANGER BRACKETS WILL CARRY (5) TIMES OVERLOAD WITHOUT FAILURE.
- HANGER BRACKETS WILL ALLOW 30° ROD MISALIGNMENT WITHOUT SHORT CIRCUITING.
- ISOLATION HANGERS INCORPORATE "NO SHORT" STEP CAP.



KINETICS NOISE CONTROL, INC
6300 IRELAN PL,
DUBLIN, OH 43017 USA
Ph: 614 889-0480, Fax: 614 889-0540
www.kineticsnoise.com

Model:
SFH-
2-35/220

By: JMJ
Date: 10/24/03
Revised: 03/27/09 / BB

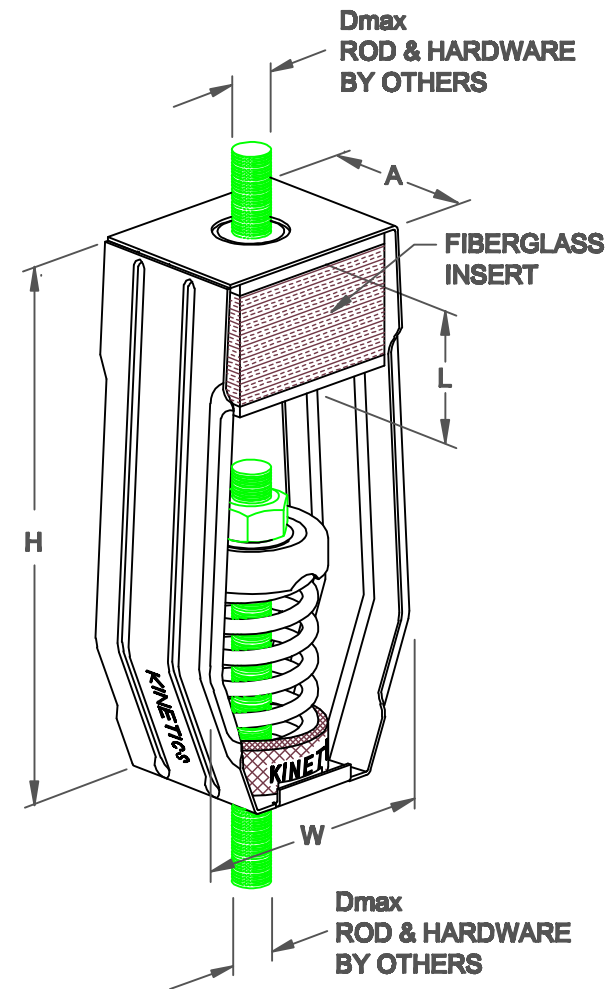
Drawing No:
S-03.35-21

SFH 51 mm DEFLECTION ISOLATION HANGERS

S-I UNITS (mm AND kg)

TYPE	L	H	W	A	D _{MAX}
2-35/220	29	187	94	57	16

STANDARD RATINGS				SPRING COIL			FIBERGLASS INSERT DENSITY
TYPE	SIZE	LOAD	DEFL.	COLOR	HT.	O.D.	DENSITY
SFH	2-35	16	51	BLUE	105	44	Q
SFH	2-70	32	51	GREEN	105	44	Q
SFH	2-120	54	51	GRAY	105	44	Q
SFH	2-220	100	54	BROWN	105	44	Q



SPECIFICATIONS:

- SPRING ELEMENTS AND BRACKETS ARE POWDER COATED.
- LOAD PLATES ARE BRIGHT ZINC PLATED.
- ISOLATION HANGERS HAVE A TYPICAL OVERLOAD OF 50%.
- ISOLATION HANGERS HAVE A MINIMUM K_x/K_y RATIO OF 1.1.
- SPRING ELEMENTS ARE SAFE AT SOLID LOADING.
- HANGER BRACKETS WILL CARRY (5) TIMES OVERLOAD WITHOUT FAILURE.
- HANGER BRACKETS WILL ALLOW 30° ROD MISALIGNMENT WITHOUT SHORT CIRCUITING.
- ISOLATION HANGERS INCORPORATE "NO SHORT" STEP CAP.



KINETICS NOISE CONTROL, INC
 6300 IRELAN PL,
 DUBLIN, OH 43017 USA
 Ph: 614 889-0480, Fax: 614 889-0540
 www.kineticsnoise.com

Model:
**SFH-
 2-35/220**

By: **JMJ**
 Date: **10/24/03**
 Revised: **03/27/09 / BB**

Drawing No:
**S-03.35-21
 METRIC**