

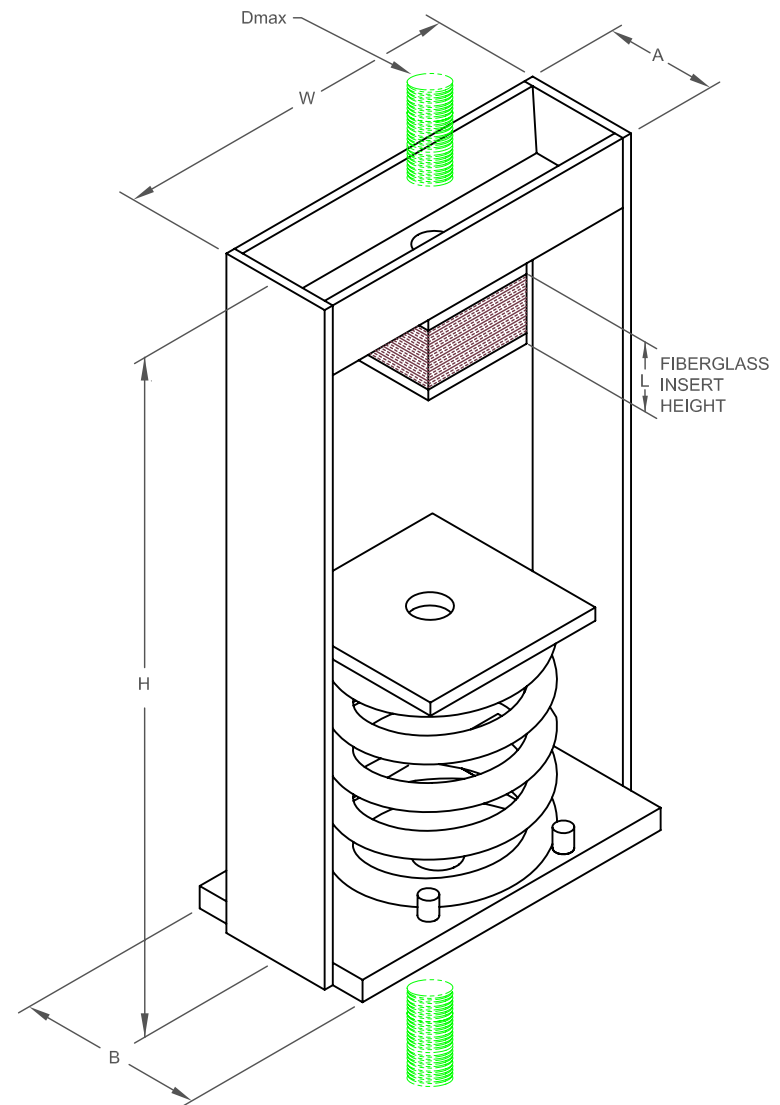
# SFH 4" DEFLECTION ISOLATION HANGER

TYPE	L	H	W	A	B	Dmax
4-100/1600	2.66	16.00	9.38	4.00	6.00	1.13

I-P UNITS (INCHES AND POUNDS)

## STANDARD RATINGS

TYPE	SIZE	COIL	COIL FREE HT	O.D.	RATED LOAD
SFH	4-100	GRAY	10.00	5.63	100
SFH	4-250	BLUE	10.00	5.63	250
SFH	4-500	GREEN	10.00	5.63	500
SFH	4-750	BLACK	10.00	5.63	750
SFH	4-1000	RED	10.00	5.63	1000
SFH	4-1250	BROWN	10.00	5.63	1250
SFH	4-1600	ORANGE	10.00	5.63	1600



## SPECIFICATIONS:

- SPRING ELEMENTS AND BRACKETS ARE POWDER COATED
- LOAD PLATES ARE BRIGHT ZINC PLATED
- ISOLATION HANGERS HAVE A TYPICAL OVERLOAD OF 50%
- ISOLATION HANGERS HAVE A MINIMUM  $K_x/K_y$  RATIO OF 1.5
- SPRING ELEMENTS ARE SAFE AT SOLID LOADING
- HANGER BRACKETS WILL CARRY (5) TIMES OVERLOAD WITHOUT FAILURE
- HANGER BRACKETS WILL ALLOW 30° ROD MISALIGNMENT WITHOUT SHORT CIRCUITING



KINETICS NOISE CONTROL, INC  
 6300 IRELAN PL,  
 DUBLIN, OH 43017 USA  
 Ph: 614 889-0480, Fax: 614 889-0540  
 www.kineticsnoise.com

Model:  
**SFH**  
**4-100/1600**

By: **JMJ**  
 Date: **10/28/03**  
 Revised: **08/23/04 / BB**

Drawing No:  
**S-03.35-41**

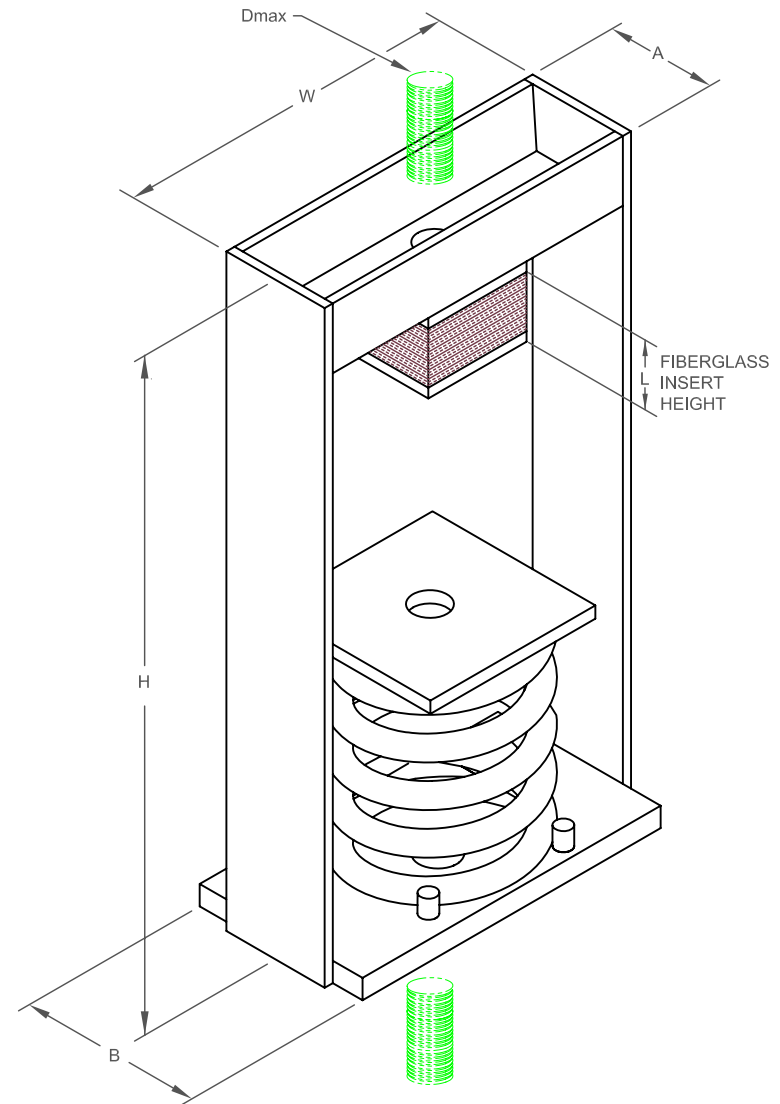
# SFH 102mm DEFLECTION ISOLATION HANGER

TYPE	L	H	W	A	B	Dmax
4-100/1600	68	406	238	102	152	29

S-I UNITS (MM AND KG)

## STANDARD RATINGS

TYPE	SIZE	COIL	COIL FREE HT	O.D.	RATED LOAD
SFH	4-100	GRAY	254	143	45
SFH	4-250	BLUE	254	143	114
SFH	4-500	GREEN	254	143	227
SFH	4-750	BLACK	254	143	341
SFH	4-1000	RED	254	143	454
SFH	4-1250	BROWN	254	143	568
SFH	4-1600	ORANGE	254	143	726



## SPECIFICATIONS:

- SPRING ELEMENTS AND BRACKETS ARE POWDER COATED
- LOAD PLATES ARE BRIGHT ZINC PLATED
- ISOLATION HANGERS HAVE A TYPICAL OVERLOAD OF 50%
- ISOLATION HANGERS HAVE A MINIMUM  $K_x/K_y$  RATIO OF 1.5
- SPRING ELEMENTS ARE SAFE AT SOLID LOADING
- HANGER BRACKETS WILL CARRY (5) TIMES OVERLOAD WITHOUT FAILURE
- HANGER BRACKETS WILL ALLOW 30° ROD MISALIGNMENT WITHOUT SHORT CIRCUITING



KINETICS NOISE CONTROL, INC  
6300 IRELAN PL,  
DUBLIN, OH 43017 USA  
Ph: 614 889-0480, Fax: 614 889-0540  
www.kineticsnoise.com

Model:  
SFH  
4-100/1600

By: JMJ  
Date: 10/28/03  
Revised: 08/23/04 / BB

Drawing No:  
S-03.35-41(M)