

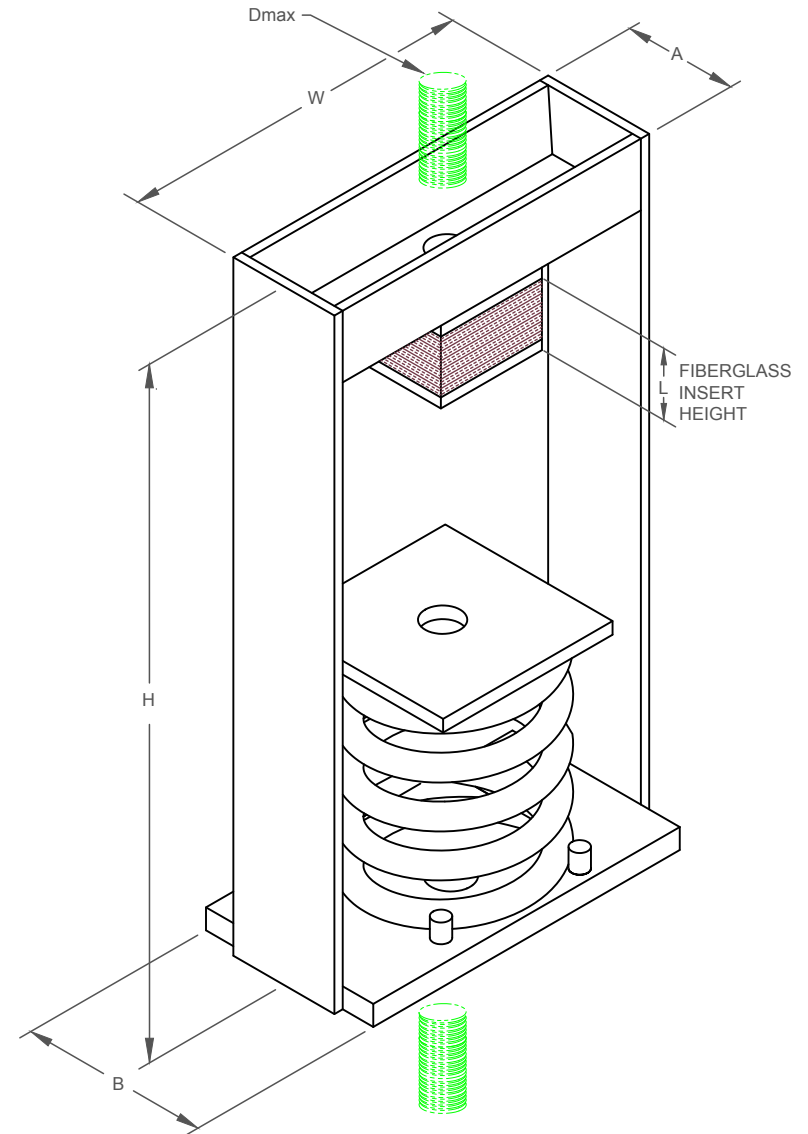
SFH 102mm DEFLECTION ISOLATION HANGER

TYPE	L	H	W	A	B	Dmax
4-2250/3850	81	470	343	152	203	29

S-I UNITS (MM AND KG)

STANDARD RATINGS

TYPE	SIZE	COIL	COIL FREE HT	O.D.	RATED LOAD
SFH	4-2250	BEIGE	292	203	1023
SFH	4-2500	BGE/BLU	292	203	1135
SFH	4-2750	BGE/GRN	292	203	1249
SFH	4-3000	BGE/BLK	292	203	1362
SFH	4-3250	BGE/RED	292	203	1476
SFH	4-3500	BGE/BRN	292	203	1589
SFH	4-3850	BGE/ORG	292	203	1748



SPECIFICATIONS:

- SPRING ELEMENTS AND BRACKETS ARE POWDER COATED
- LOAD PLATES ARE BRIGHT ZINC PLATED
- ISOLATION HANGERS HAVE A TYPICAL OVERLOAD OF 50%
- ISOLATION HANGERS HAVE A MINIMUM Kx/Ky RATIO OF 1.5
- SPRING ELEMENTS ARE SAFE AT SOLID LOADING
- HANGER BRACKETS WILL CARRY (5) TIMES OVERLOAD WITHOUT FAILURE
- HANGER BRACKETS WILL ALLOW 30° ROD MISALIGNMENT WITHOUT SHORT CIRCUITING