

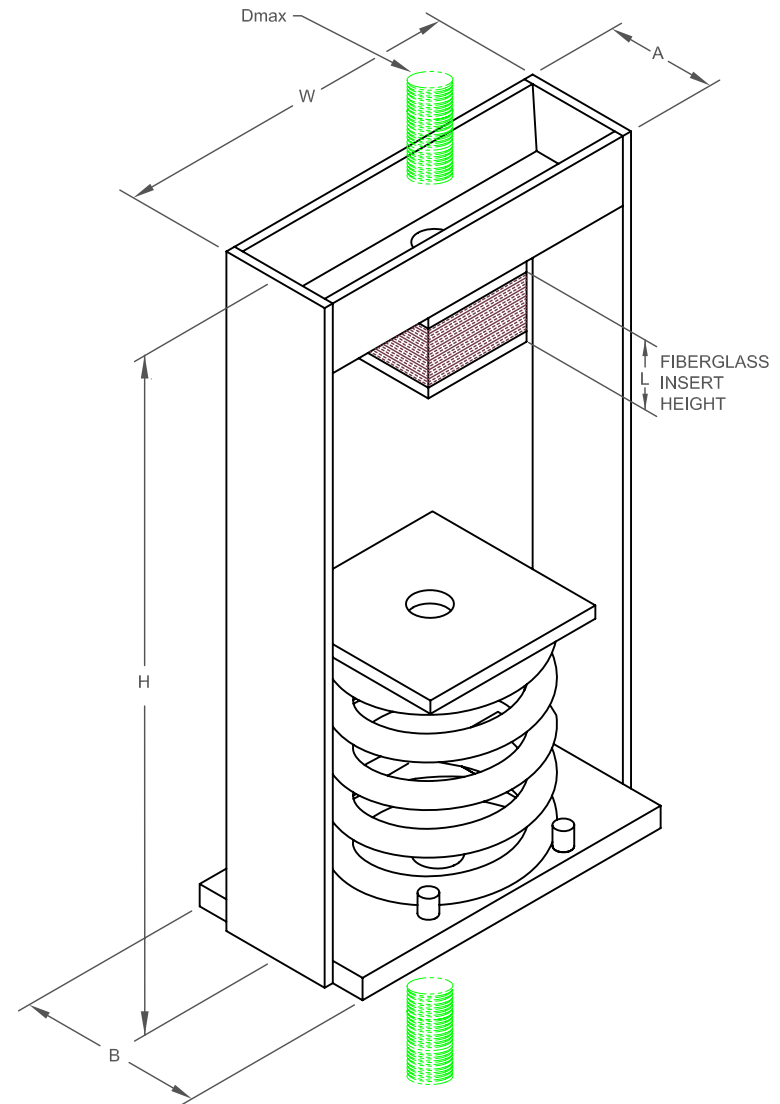
# SFH 4" DEFLECTION ISOLATION HANGER

| TYPE        | L    | H     | W     | A    | B    | Dmax |
|-------------|------|-------|-------|------|------|------|
| 4-2250/3850 | 3.17 | 18.50 | 13.50 | 6.00 | 8.00 | 1.13 |

I-P UNITS (INCHES AND POUNDS)

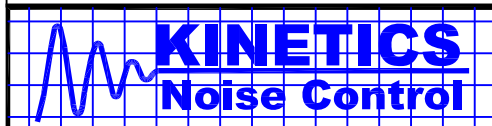
## STANDARD RATINGS

| TYPE | SIZE   | COIL    | COIL FREE HT | O.D. | RATED LOAD |
|------|--------|---------|--------------|------|------------|
| SFH  | 4-2250 | BEIGE   | 11.50        | 8.00 | 2250       |
| SFH  | 4-2500 | BGE/BLU | 11.50        | 8.00 | 2500       |
| SFH  | 4-2750 | BGE/GRN | 11.50        | 8.00 | 2750       |
| SFH  | 4-3000 | BGE/BLK | 11.50        | 8.00 | 3000       |
| SFH  | 4-3250 | BGE/RED | 11.50        | 8.00 | 3250       |
| SFH  | 4-3500 | BGE/BRN | 11.50        | 8.00 | 3500       |
| SFH  | 4-3850 | BGE/ORG | 11.50        | 8.00 | 3850       |



## SPECIFICATIONS:

- SPRING ELEMENTS AND BRACKETS ARE POWDER COATED
- LOAD PLATES ARE BRIGHT ZINC PLATED
- ISOLATION HANGERS HAVE A TYPICAL OVERLOAD OF 50%
- ISOLATION HANGERS HAVE A MINIMUM Kx/Ky RATIO OF 1.5
- SPRING ELEMENTS ARE SAFE AT SOLID LOADING
- HANGER BRACKETS WILL CARRY (5) TIMES OVERLOAD WITHOUT FAILURE
- HANGER BRACKETS WILL ALLOW 30° ROD MISALIGNMENT WITHOUT SHORT CIRCUITING



KINETICS NOISE CONTROL, INC  
 6300 IRELAN PL,  
 DUBLIN, OH 43017 USA  
 Ph: 614 889-0480, Fax: 614 889-0540  
 www.kineticsnoise.com

Model:  
**SFH**  
**4-2250/3850**

By: **JMJ**  
 Date: **10/28/03**  
 Revised: **08/23/04 / BB**

Drawing No:  
**S-03.35-42**

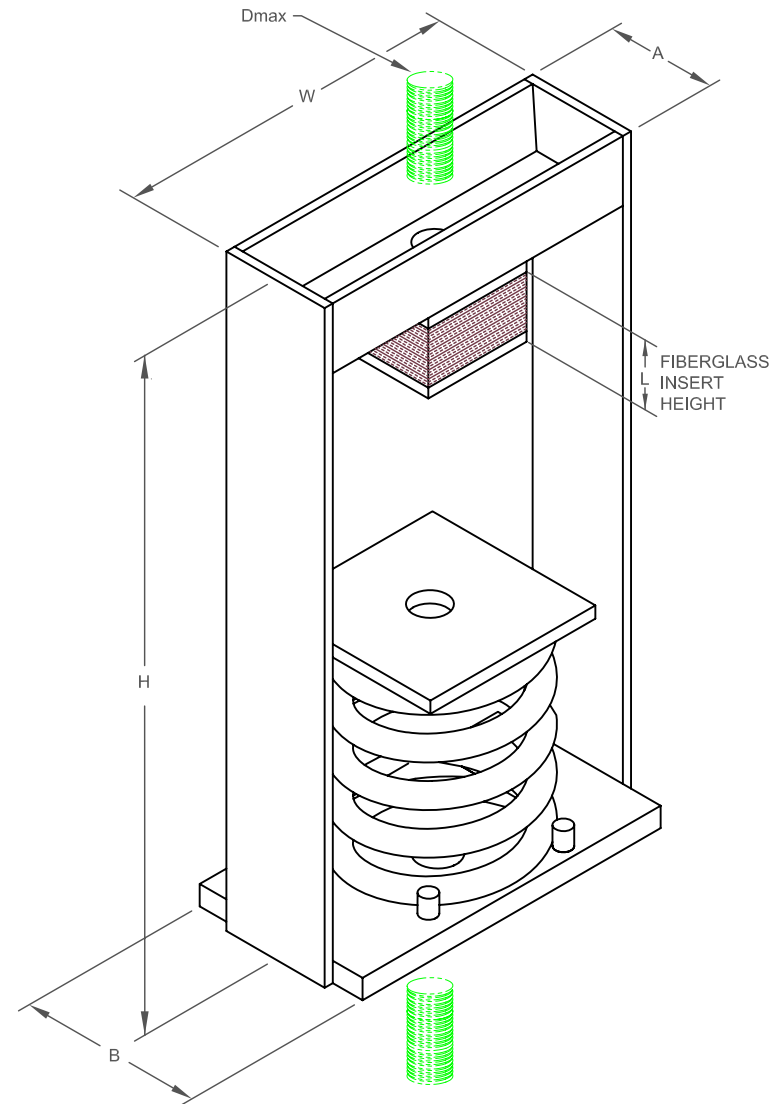
# SFH 102mm DEFLECTION ISOLATION HANGER

| TYPE        | L  | H   | W   | A   | B   | Dmax |
|-------------|----|-----|-----|-----|-----|------|
| 4-2250/3850 | 81 | 470 | 343 | 152 | 203 | 29   |

S-I UNITS (MM AND KG)

## STANDARD RATINGS

| TYPE | SIZE   | COIL    | COIL FREE HT | O.D. | RATED LOAD |
|------|--------|---------|--------------|------|------------|
| SFH  | 4-2250 | BEIGE   | 292          | 203  | 1023       |
| SFH  | 4-2500 | BGE/BLU | 292          | 203  | 1135       |
| SFH  | 4-2750 | BGE/GRN | 292          | 203  | 1249       |
| SFH  | 4-3000 | BGE/BLK | 292          | 203  | 1362       |
| SFH  | 4-3250 | BGE/RED | 292          | 203  | 1476       |
| SFH  | 4-3500 | BGE/BRN | 292          | 203  | 1589       |
| SFH  | 4-3850 | BGE/ORG | 292          | 203  | 1748       |



## SPECIFICATIONS:

- SPRING ELEMENTS AND BRACKETS ARE POWDER COATED
- LOAD PLATES ARE BRIGHT ZINC PLATED
- ISOLATION HANGERS HAVE A TYPICAL OVERLOAD OF 50%
- ISOLATION HANGERS HAVE A MINIMUM  $K_x/K_y$  RATIO OF 1.5
- SPRING ELEMENTS ARE SAFE AT SOLID LOADING
- HANGER BRACKETS WILL CARRY (5) TIMES OVERLOAD WITHOUT FAILURE
- HANGER BRACKETS WILL ALLOW 30° ROD MISALIGNMENT WITHOUT SHORT CIRCUITING



KINETICS NOISE CONTROL, INC  
 6300 IRELAN PL,  
 DUBLIN, OH 43017 USA  
 Ph: 614 889-0480, Fax: 614 889-0540  
[www.kineticsnoise.com](http://www.kineticsnoise.com)

Model:  
**SFH**  
**4-2250/3850**

By: **JMJ**  
 Date: **10/28/03**  
 Revised: **08/23/04 / BB**

Drawing No:  
**S-03.35-42(M)**