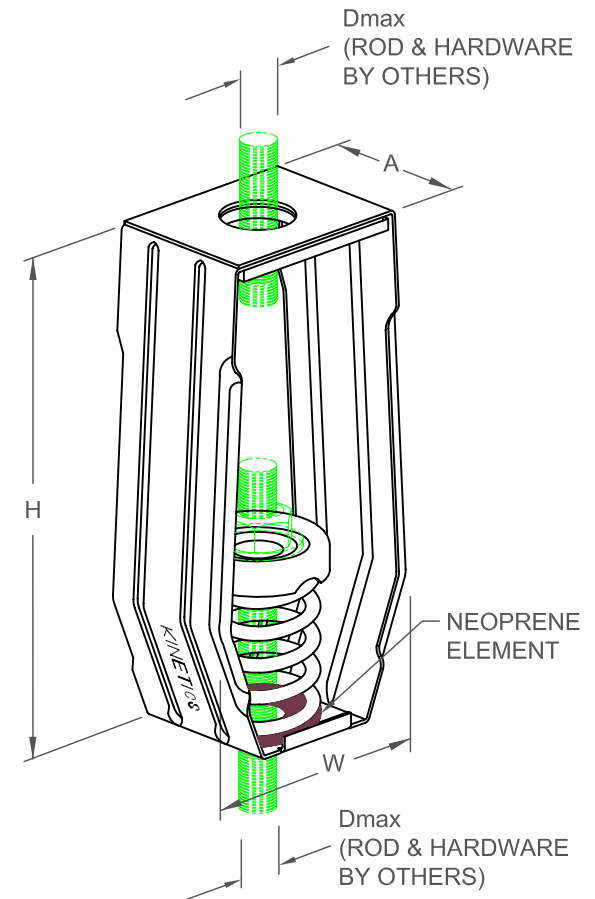


SH 1" DEFLECTION ISOLATION HANGERS

IP UNITS (INCHES AND POUNDS)

TYPE	H	W	A	D _{MAX}
1-50/1000	8.59	5.58	3.63	1.00

STANDARD RATINGS		SPRING COIL				
TYPE	SIZE	COLOR	FREE		RATED	
			HT.	O.D.	LOAD	DEFL.
SH	1-50	BEIGE	4.20	3.00	50	1.00
SH	1-100	CHROME	4.20	3.00	100	1.00
SH	1-250	BLUE	4.20	3.00	250	1.79
SH	1-450	GREEN	4.20	3.00	450	1.54
SH	1-625	BLACK	4.20	3.00	625	1.44
SH	1-800	GRAY	4.20	3.00	800	1.31
SH	1-1000	RED	4.20	3.00	1000	1.15



SPECIFICATIONS:

- SPRING ELEMENTS AND BRACKETS ARE POWDER COATED.
- LOAD PLATES ARE BRIGHT ZINC PLATED.
- ISOLATION HANGERS HAVE A TYPICAL OVERLOAD OF 50%.
- ISOLATION HANGERS HAVE A MINIMUM K_x/K_y RATIO OF 1.0.
- SPRING ELEMENTS ARE SAFE AT SOLID LOADING.
- HANGER BRACKETS WILL CARRY (5) TIMES OVERLOAD WITHOUT FAILURE.
- HANGER BRACKETS WILL ALLOW 30° ROD MISALIGNMENT WITHOUT SHORT CIRCUITING.
- HANGER INCORPORATES "NO SHORT" STEP CAP.



KINETICS NOISE CONTROL, INC
 6300 IRELAN PL,
 DUBLIN, OH 43017 USA
 Ph: 614 889-0480, Fax: 614 889-0540
www.kineticsnoise.com

Model:
SH-1-50/1000

By: **BB**
 Date: **12/07/05**
 Revised: **02/11/08 / BB**

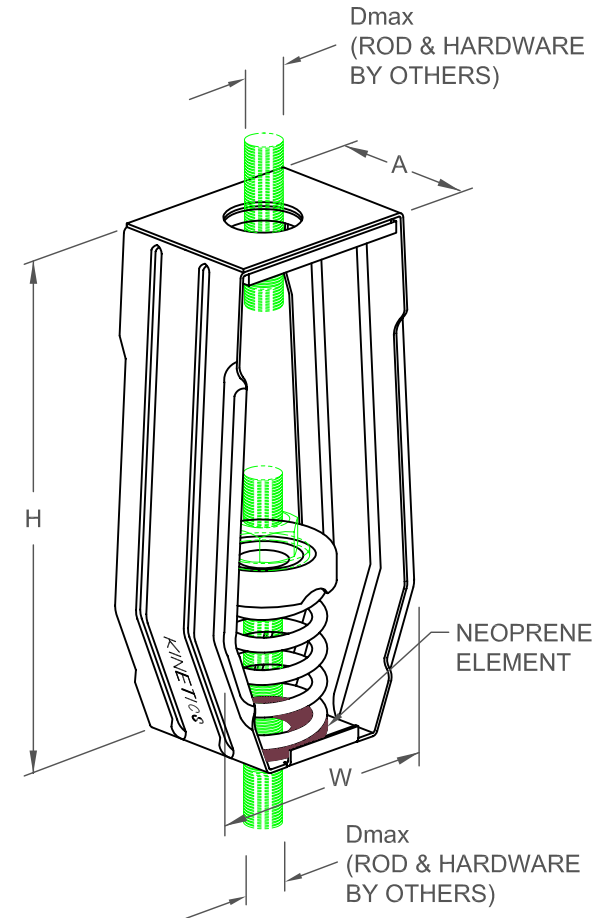
Drawing No:
S-03.36-12

SH 25 mm DEFLECTION ISOLATION HANGERS

S-I UNITS (mm AND kg)

TYPE	H	W	A	D _{MAX}
1-50/1000	218	142	92	25

STANDARD RATINGS		SPRING COIL				
TYPE	SIZE	COLOR	FREE		RATED	
			HT.	O.D.	LOAD	DEFL.
SH	1-50	BEIGE	107	76	23	25
SH	1-100	CHROME	107	76	45	25
SH	1-250	BLUE	107	76	113	45
SH	1-450	GREEN	107	76	204	39
SH	1-625	BLACK	107	76	283	37
SH	1-800	GRAY	107	76	363	33
SH	1-1000	RED	107	76	454	29



SPECIFICATIONS:

- SPRING ELEMENTS AND BRACKETS ARE POWDER COATED.
- LOAD PLATES ARE BRIGHT ZINC PLATED.
- ISOLATION HANGERS HAVE A TYPICAL OVERLOAD OF 50%.
- ISOLATION HANGERS HAVE A MINIMUM K_x/K_y RATIO OF 1.0.
- SPRING ELEMENTS ARE SAFE AT SOLID LOADING.
- HANGER BRACKETS WILL CARRY (5) TIMES OVERLOAD WITHOUT FAILURE.
- HANGER BRACKETS WILL ALLOW 30° ROD MISALIGNMENT WITHOUT SHORT CIRCUITING.
- HANGER INCORPORATES "NO SHORT" STEP CAP.



KINETICS NOISE CONTROL, INC
 6300 IRELAN PL,
 DUBLIN, OH 43017 USA
 Ph: 614 889-0480, Fax: 614 889-0540
 www.kineticsnoise.com

Model:
 SH-1-
 50/1000

By: BB
 Date: 12/07/05
 Revised: 02/11/08 / BB

Drawing No:
 S-03.36-12
 METRIC