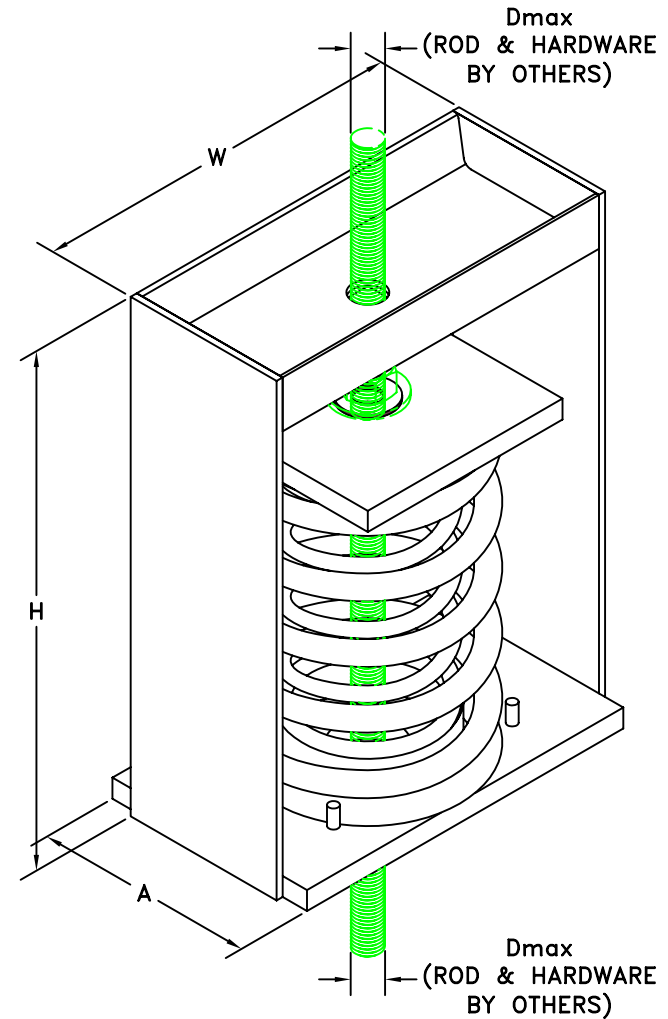


SH 4" DEFLECTION ISOLATION HANGERS

IP UNITS (INCHES AND POUNDS)

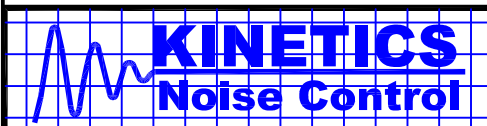
TYPE	H	W	A	DMAX
4-2250/3850	18.50	13.50	8.00	1.00

STANDARD RATINGS				SPRING COIL			
TYPE	SIZE	LOAD	DEFL.	COLOR		FREE	O.D.
				OUTER	INNER	HT.	
SH	4-2250	2250	4.00	BEIGE		11.50	8.00
SH	4-2500	2500	4.00	BEIGE	BLUE	11.50	8.00
SH	4-2750	2750	4.00	BEIGE	GREEN	11.50	8.00
SH	4-3000	3000	4.00	BEIGE	BLACK	11.50	8.00
SH	4-3250	3250	4.00	BEIGE	RED	11.50	8.00
SH	4-3500	3500	4.00	BEIGE	BROWN	11.50	8.00
SH	4-3850	3850	4.00	BEIGE	ORANGE	11.50	8.00



SPECIFICATIONS:

- SPRING ELEMENTS ARE POWDER COATED.
- BRACKETS AND LOAD PLATES ARE PAINTED.
- ISOLATION HANGERS HAVE A TYPICAL OVERLOAD OF 50%.
- ISOLATION HANGERS HAVE A MINIMUM Kx/Ky RATIO OF 1.0.
- SPRING ELEMENTS ARE SAFE AT SOLID LOADING.
- HANGER BRACKETS WILL CARRY (5) TIMES OVERLOAD WITHOUT FAILURE.
- HANGER BRACKETS WILL ALLOW 30° ROD MISALIGNMENT WITHOUT SHORT CIRCUITING.



KINETICS NOISE CONTROL, INC
 6300 IRELAN PL.
 DUBLIN, OH 43017 USA
 Ph: 614 889-0480, Fax: 614 889-0540
 www.kineticsnoise.com

Model:
 SH
 4-2250/3850

By: BB
 Date: 12/07/05
 Revised: /

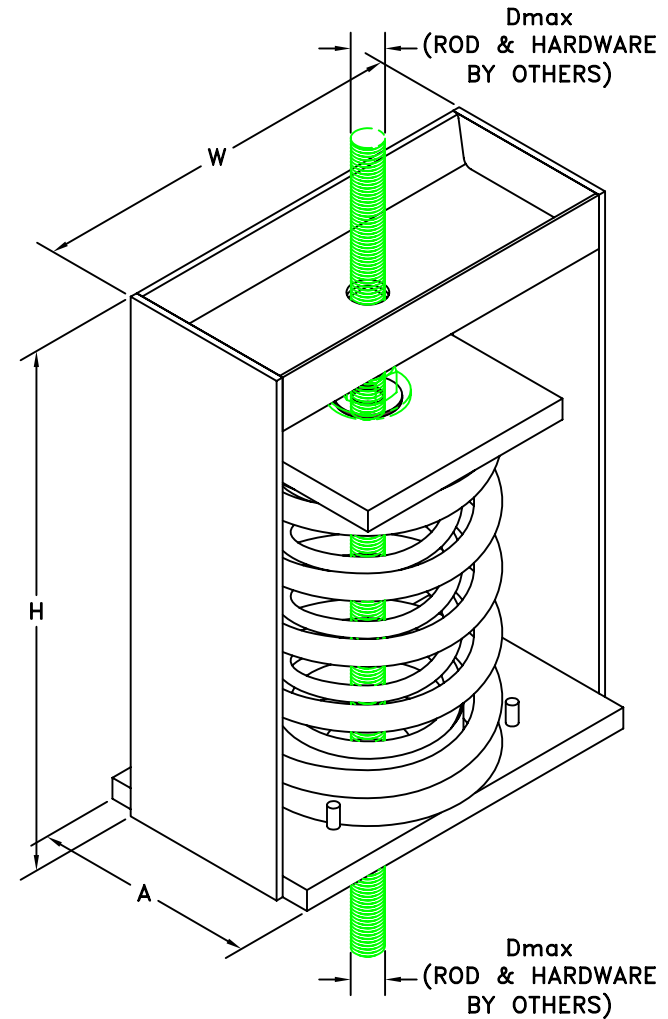
Drawing No:
 S-03.36-42

SH 102 mm DEFLECTION ISOLATION HANGERS

S-I UNITS (mm AND kg)

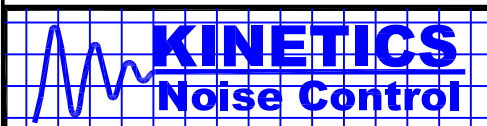
TYPE	H	W	A	DMAX
4-2250/3850	470	343	203	25

STANDARD RATINGS				SPRING COIL			
TYPE	SIZE	LOAD	DEFL.	COLOR		FREE	O.D.
				OUTER	INNER	HT.	
SH	4-2250	1021	102	BEIGE		292	203
SH	4-2500	1134	102	BEIGE	BLUE	292	203
SH	4-2750	1247	102	BEIGE	GREEN	292	203
SH	4-3000	1361	102	BEIGE	BLACK	292	203
SH	4-3250	1474	102	BEIGE	RED	292	203
SH	4-3500	1588	102	BEIGE	BROWN	292	203
SH	4-3850	1746	102	BEIGE	ORANGE	292	203



SPECIFICATIONS:

- SPRING ELEMENTS ARE POWDER COATED.
- BRACKETS AND LOAD PLATES ARE PAINTED.
- ISOLATION HANGERS HAVE A TYPICAL OVERLOAD OF 50%.
- ISOLATION HANGERS HAVE A MINIMUM Kx/Ky RATIO OF 1.0.
- SPRING ELEMENTS ARE SAFE AT SOLID LOADING.
- HANGER BRACKETS WILL CARRY (5) TIMES OVERLOAD WITHOUT FAILURE.
- HANGER BRACKETS WILL ALLOW 30° ROD MISALIGNMENT WITHOUT SHORT CIRCUITING.



KINETICS NOISE CONTROL, INC
 6300 IRELAN PL,
 DUBLIN, OH 43017 USA
 Ph: 614 889-0480, Fax: 614 889-0540
 www.kineticsnoise.com

Model:
 SH
 4-2250/3850

By: BB
 Date: 12/07/05
 Revised: /

Drawing No:
 S-03.36-42
 METRIC