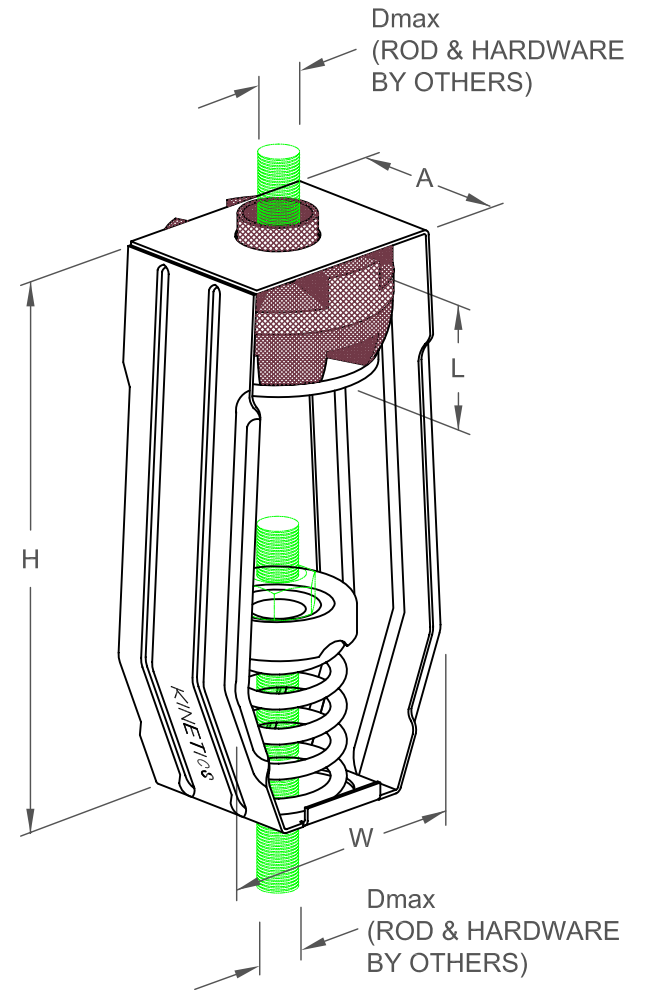


SRH 1" DEFLECTION ISOLATION HANGERS

IP UNITS (INCHES AND POUNDS)

TYPE	L	H	W	A	D _{MAX}
1-50/1000	2.00	8.59	5.58	3.63	0.88

STANDARD RATINGS		SPRING COIL					INSERT
TYPE	SIZE	COLOR	FREE HT.	O.D.	RATED LOAD	DEFL.	COLOR
SRH	1-50	BEIGE	4.20	3.00	50	1.13	BLACK
SRH	1-100	CHROME	4.20	3.00	100	1.19	RED
SRH	1-250	BLUE	4.20	3.00	250	2.12	GREEN
SRH	1-450	GREEN	4.20	3.00	450	1.94	WHITE
SRH	1-625	BLACK	4.20	3.00	625	1.80	PURPLE
SRH	1-800	GRAY	4.20	3.00	800	1.55	YELLOW
SRH	1-1000	RED	4.20	3.00	1000	1.45	YELLOW



SPECIFICATIONS:

- SPRING ELEMENTS AND BRACKETS ARE POWDER COATED.
- LOAD PLATES ARE BRIGHT ZINC PLATED.
- ISOLATION HANGERS HAVE A MINIMUM K_x/K_y RATIO OF 1.4.
- SPRING ELEMENTS ARE SAFE AT SOLID LOADING.
- HANGER BRACKETS WILL CARRY (5) TIMES OVERLOAD WITHOUT FAILURE.
- ISOLATION HANGERS HAVE A TYPICAL OVERLOAD OF 50%.
- HANGER BRACKETS WILL ALLOW 30° ROD MISALIGNMENT WITHOUT SHORT CIRCUITING.
- "NO SHORT" STEP CAP



KINETICS NOISE CONTROL, INC
 6300 IRELAN PL,
 DUBLIN, OH 43017 USA
 Ph: 614 889-0480, Fax: 614 889-0540
 www.kineticsnoise.com

Model:
 SRH
 1-50/1000

By: JMJ
 Date: 02/26/03
 Revised: 02/11/08 / BB

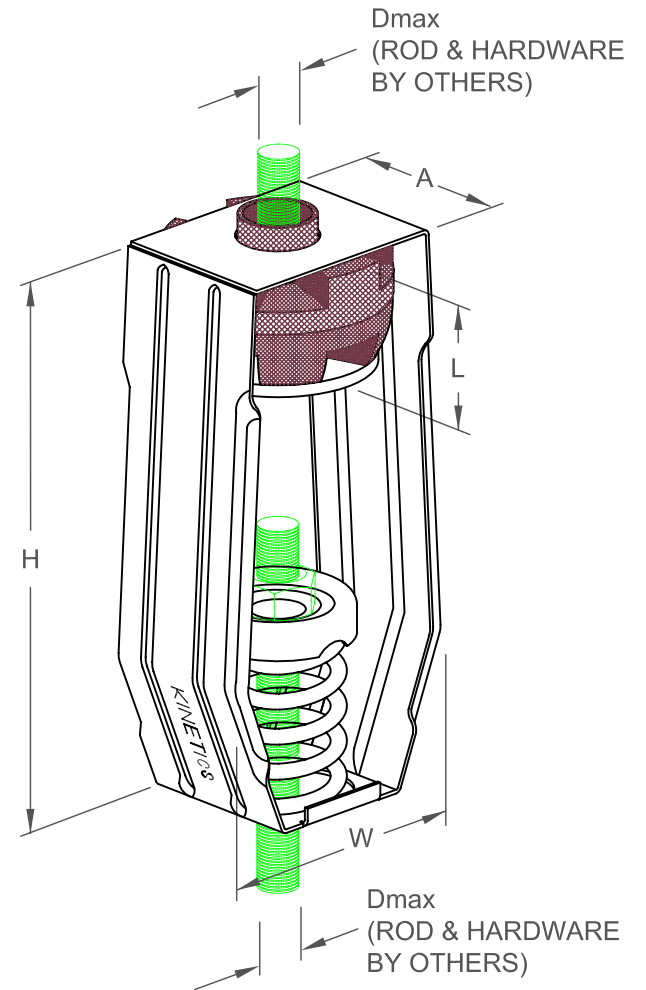
Drawing No:
 S-03.37-12

SRH 25 mm DEFLECTION ISOLATION HANGERS

S-I UNITS (mm AND kg)

TYPE	L	H	W	A	DMAX
1-50/1000	51	218	142	92	22

STANDARD RATINGS		SPRING COIL					INSERT
TYPE	SIZE	COLOR	FREE		RATED		COLOR
			HT.	O.D.	LOAD	DEFL.	
SRH	1-50	BEIGE	107	76	23	29	BLACK
SRH	1-100	CHROME	107	76	45	30	RED
SRH	1-250	BLUE	107	76	113	54	GREEN
SRH	1-450	GREEN	107	76	204	49	WHITE
SRH	1-625	BLACK	107	76	283	46	PURPLE
SRH	1-800	GRAY	107	76	363	39	YELLOW
SRH	1-1000	RED	107	76	454	37	YELLOW



SPECIFICATIONS:

- SPRING ELEMENTS AND BRACKETS ARE POWDER COATED.
- LOAD PLATES ARE BRIGHT ZINC PLATED.
- ISOLATION HANGERS HAVE A MINIMUM K_x/K_y RATIO OF 1.4.
- SPRING ELEMENTS ARE SAFE AT SOLID LOADING.
- HANGER BRACKETS WILL CARRY (5) TIMES OVERLOAD WITHOUT FAILURE.
- ISOLATION HANGERS HAVE A TYPICAL OVERLOAD OF 50%.
- HANGER BRACKETS WILL ALLOW 30° ROD MISALIGNMENT WITHOUT SHORT CIRCUITING.
- "NO SHORT" STEP CAP



KINETICS NOISE CONTROL, INC
6300 IRELAN PL,
DUBLIN, OH 43017 USA
Ph: 614 889-0480, Fax: 614 889-0540
www.kineticsnoise.com

Model:
SRH
1-50/1000

By: JMJ
Date: 02/26/03
Revised: 02/11/08 / BB

Drawing No:
S-03.37-12
METRIC