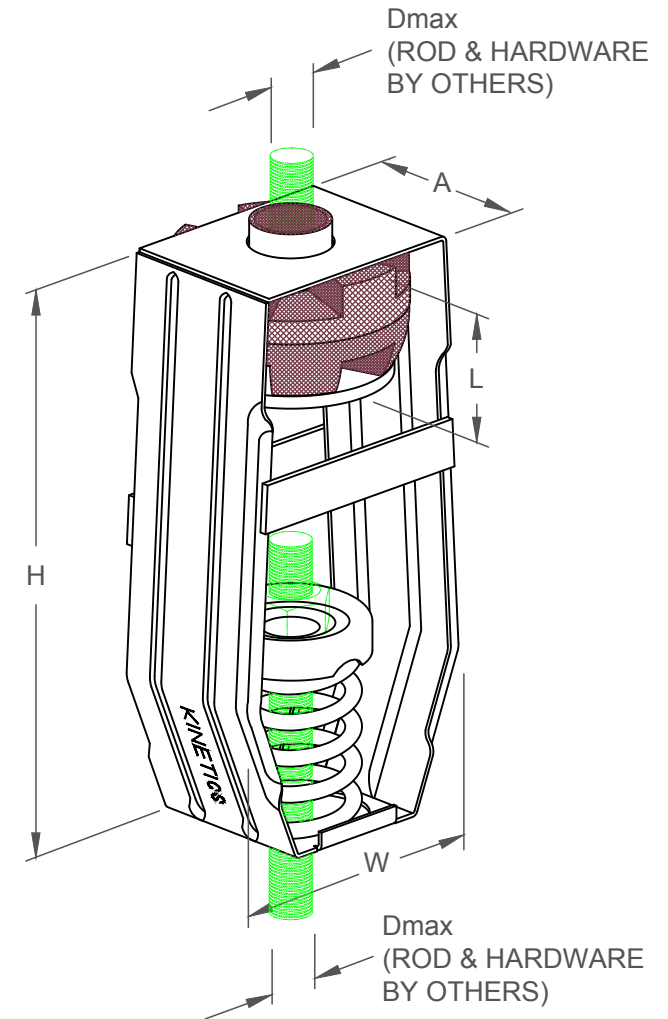


SRH 25 mm DEFLECTION ISOLATION HANGERS

S-I UNITS (mm AND kg)

TYPE	L	H	W	A	Dmax
1-1250/1700	51	218	142	92	22

STANDARD RATINGS				SPRING COIL			
TYPE	SIZE	LOAD	DEFL.	COLOR	FREE HT.	O.D.	INSERT COLOR
SRH	1-1250	567	35	BROWN	107	76	PINK
SRH	1-1700	771	34	ORANGE	107	76	PINK



SPECIFICATIONS:

- SPRING ELEMENTS AND BRACKETS ARE POWDER COATED
- LOAD PLATES ARE BRIGHT ZINC PLATED
- ISOLATION HANGERS HAVE A MINIMUM Kx/Ky RATIO OF 1.2
- SPRING ELEMENTS ARE SAFE AT SOLID LOADING
- HANGER BRACKETS WILL CARRY (5) TIMES OVERLOAD WITHOUT FAILURE
- ISOLATION HANGERS HAVE A TYPICAL OVERLOAD OF 50%
- HANGER BRACKETS WILL ALLOW 30° ROD MISALIGNMENT WITHOUT SHORT CIRCUITING
- "NO SHORT" STEP CAP



KINETICS NOISE CONTROL, INC
 6300 IRELAN PL,
 DUBLIN, OH 43017 USA
 Ph: 614 889-0480, Fax: 614 889-0540
 www.kineticsnoise.com

Model:
SRH
 1-1250/1700

By: JMJ
 Date: 02/26/03
 Revised: /

Drawing No:
S-03.37-13(M)