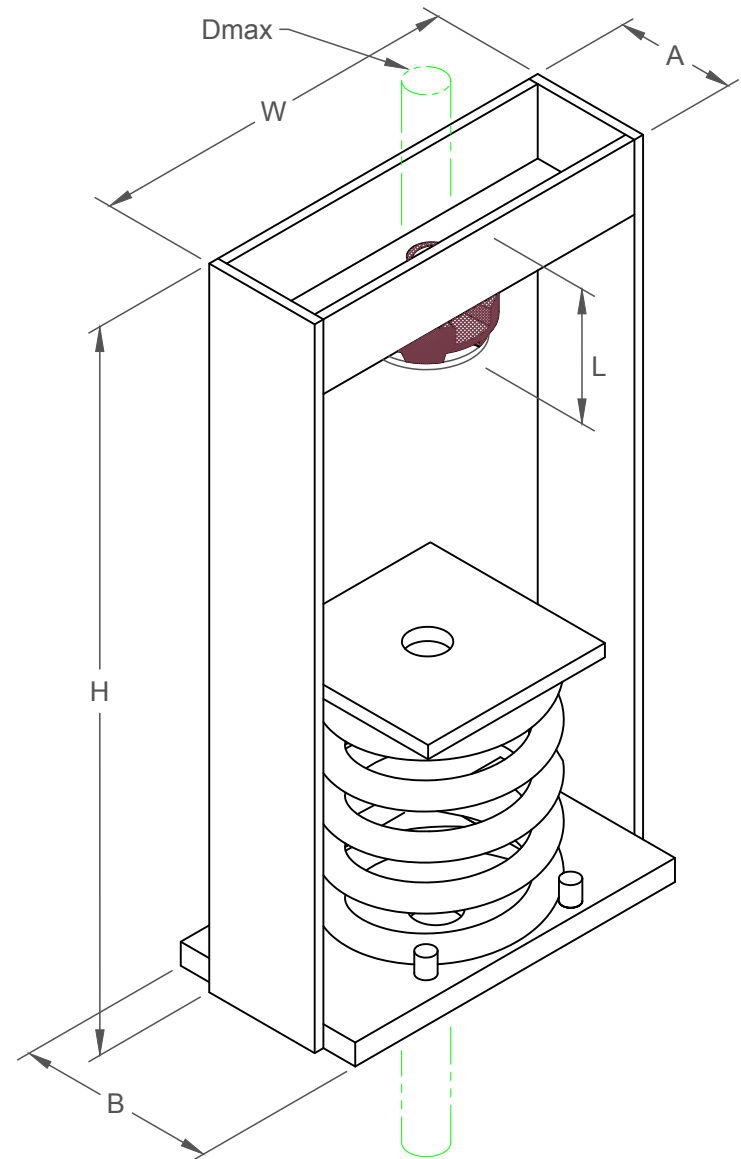


# SRH 102 mm DEFLECTION ISOLATION HANGERS

S-I UNITS (mm AND kg)

TYPE	L	H	W	A	B	Dmax
4-2250/2750	89	470	343	152	203	22

STANDARD RATINGS				SPRING COIL				INSERT COLOR
TYPE	SIZE	LOAD	DEFL.	COLOR		FREE HT.	O.D.	
SRH	4-2250	1021	115	BEIGE		292	203	PINK
SRH	4-2500	1134	117	BEIGE	BLUE	292	203	PINK
SRH	4-2750	1247	118	BEIGE	GREEN	292	203	PINK



## SPECIFICATIONS:

- SPRING ELEMENTS AND BRACKETS ARE POWDER COATED
- LOAD PLATES ARE BRIGHT ZINC PLATED
- ISOLATION HANGERS HAVE A MINIMUM Kx/Ky RATIO OF 1.5
- SPRING ELEMENTS ARE SAFE AT SOLID LOADING
- HANGER BRACKETS WILL CARRY (5) TIMES OVERLOAD WITHOUT FAILURE
- HANGER BRACKETS WILL ALLOW 30° ROD MISALIGNMENT WITHOUT SHORT CIRCUITING