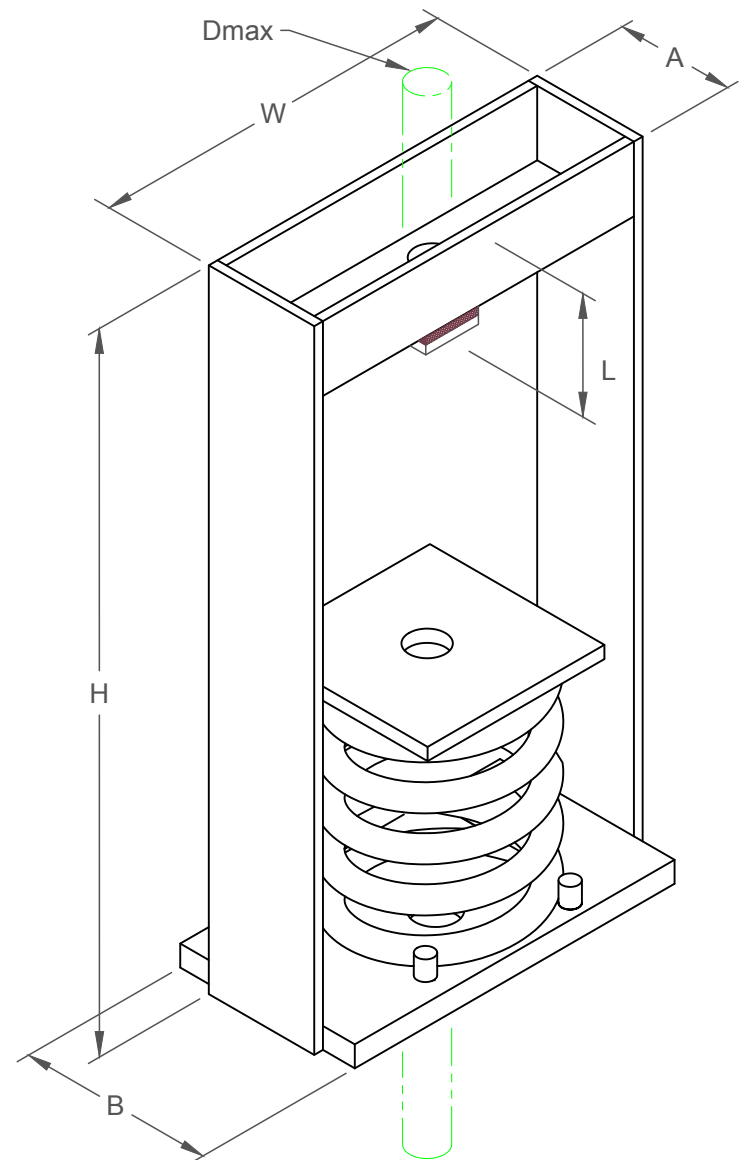


SRH 102 mm DEFLECTION ISOLATION HANGERS

S-I UNITS (mm AND kg)

TYPE	L	H	W	A	B	Dmax
4-3000/3850	81	470	343	152	203	25

STANDARD RATINGS				SPRING COIL				INSERT COLOR
TYPE	SIZE	LOAD	DEFL.	COLOR		FREE	O.D.	
				OUTER	INNER	HT.		
SRH	4-3000	1361	105	BEIGE	BLACK	292	203	BLACK
SRH	4-3250	1474	105	BEIGE	RED	292	203	BLACK
SRH	4-3500	1588	105	BEIGE	BROWN	292	203	BLACK
SRH	4-3850	1746	106	BEIGE	ORANGE	292	203	BLACK



SPECIFICATIONS:

- SPRING ELEMENTS AND BRACKETS ARE POWDER COATED
- LOAD PLATES ARE BRIGHT ZINC PLATED
- ISOLATION HANGERS HAVE A MINIMUM Kx/Ky RATIO OF 1.5
- SPRING ELEMENTS ARE SAFE AT SOLID LOADING
- HANGER BRACKETS WILL CARRY (5) TIMES OVERLOAD WITHOUT FAILURE
- HANGER BRACKETS WILL ALLOW 30° ROD MISALIGNMENT WITHOUT SHORT CIRCUITING