

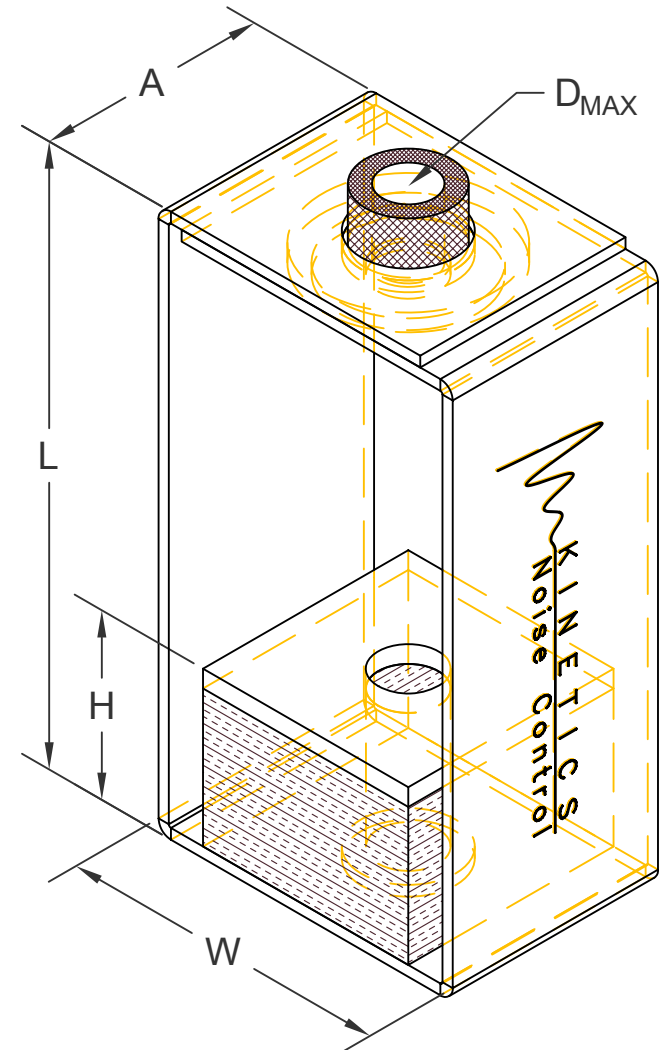
FH FIBERGLASS ISOLATION HANGER

IP UNITS (INCHES AND POUNDS)

TYPE	L	W	A	H	Dmax
FH-40/290	3.97	2.15	1.50	1.20	0.38

STANDARD RATINGS

TYPE	SIZE	PAD DENSITY	RATED	
			LOAD	DEFL.
FH	40	G	40	0.31
FH	80	L	80	0.24
FH	160	Q	160	0.17
FH	290	QR	290	0.14



SPECIFICATIONS:

- FIBERGLASS ELEMENTS ARE ELASTOMERICALLY COATED.
- LOAD PLATE AND HANGER BRACKET ARE BRIGHT ZINC PLATED.
- ISOLATION HANGERS HAVE A TYPICAL OVERLOAD OF 50%.
- HANGER BRACKETS WILL CARRY (5) TIMES OVERLOAD WITHOUT FAILURE.



KINETICS NOISE CONTROL, INC
 6300 IRELAN PL,
 DUBLIN, OH 43017 USA
 Ph: 614 889-0480, Fax: 614 889-0540
 www.kineticsnoise.com

Model:

FH-40/290

By: BB

Date: 02/21/17

Revised: /

Drawing No:

S-03.38-13

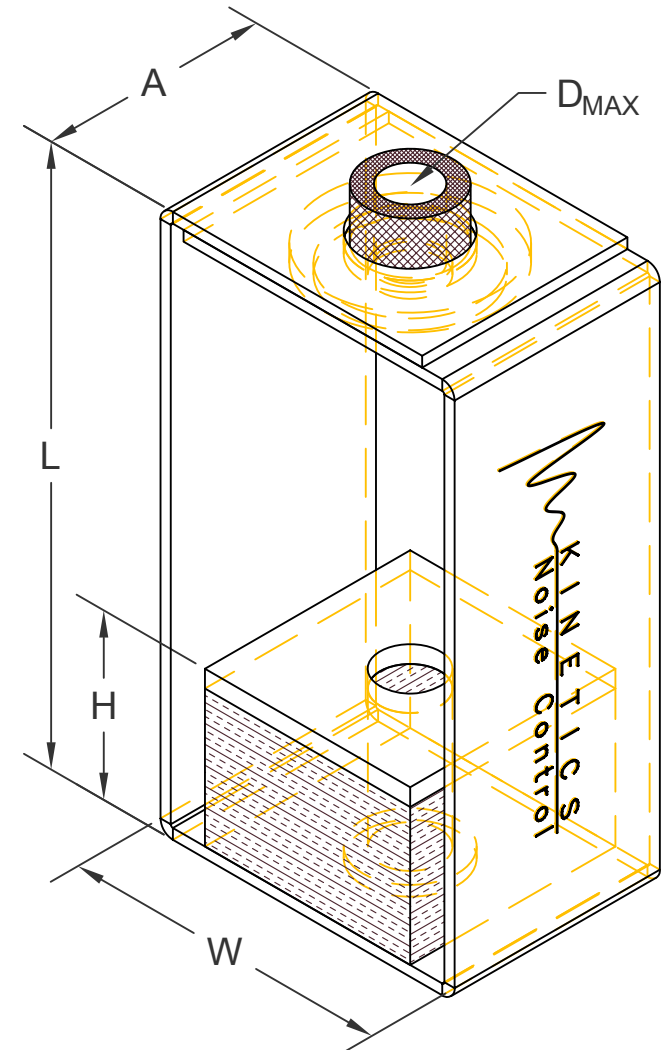
FH FIBERGLASS ISOLATION HANGER

S-I UNITS (mm AND kg)

TYPE	L	W	A	H	Dmax
FH-40/290	101	55	38	30	10

STANDARD RATINGS

TYPE	SIZE	PAD DENSITY	RATED	
			LOAD	DEFL.
FH	40	G	18	8
FH	80	L	36	6
FH	160	Q	73	4
FH	290	QR	132	4



SPECIFICATIONS:

- FIBERGLASS ELEMENTS ARE ELASTOMERICALLY COATED.
- LOAD PLATE AND HANGER BRACKET ARE BRIGHT ZINC PLATED.
- ISOLATION HANGERS HAVE A TYPICAL OVERLOAD OF 50%.
- HANGER BRACKETS WILL CARRY (5) TIMES OVERLOAD WITHOUT FAILURE.



KINETICS NOISE CONTROL, INC
6300 IRELAN PL,
DUBLIN, OH 43017 USA
Ph: 614 889-0480, Fax: 614 889-0540
www.kineticsnoise.com

Model:

FH-40/290

By: BB

Date: 02/21/17

Revised: /

Drawing No:

S-03.38-13
METRIC