

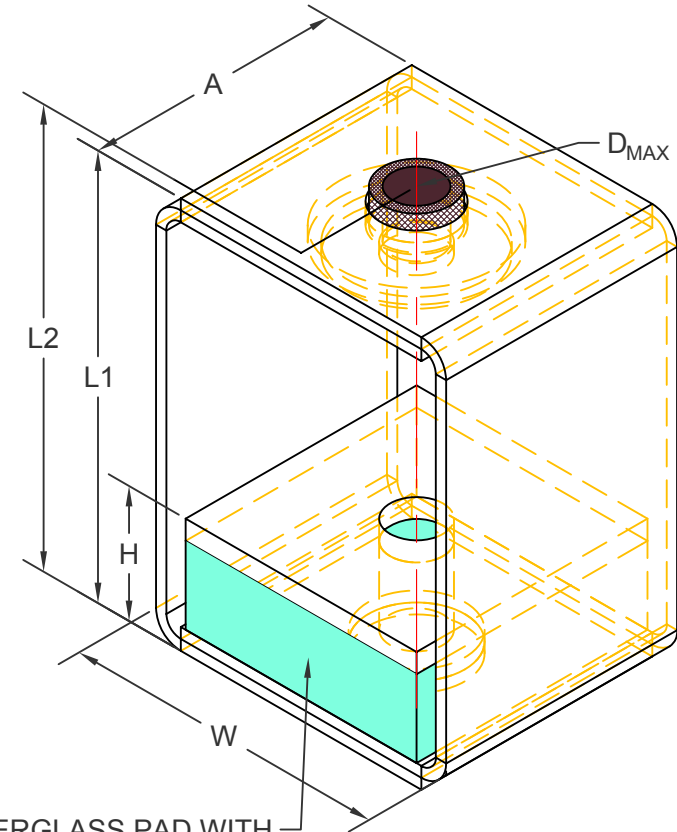
FH FIBERGLASS ISOLATION HANGER

IP UNITS (INCHES AND POUNDS)

TYPE	L1	L2	W	A	H	T	Dmax
FH-200/1600	5.09	5.26	3.77	3.00	1.52	1.00	0.63

STANDARD RATINGS

TYPE	SIZE	PAD DENSITY	RATED	
			LOAD	DEFL.
FH	200	G	200	0.34
FH	400	L	400	0.26
FH	800	Q	800	0.18
FH	1600	QR	1600	0.16



(T) THICK FIBERGLASS PAD WITH DENSITY IDENTIFICATION STAMP

SPECIFICATIONS:

- FIBERGLASS ELEMENTS ARE ELASTOMERICALLY COATED.
- LOAD PLATE AND HANGER BRACKET ARE PAINTED KNC STANDARD COLOR.
- ISOLATION HANGERS HAVE A TYPICAL OVERLOAD OF 50%.
- HANGER BRACKETS WILL CARRY (5) TIMES OVERLOAD WITHOUT FAILURE.



KINETICS NOISE CONTROL, INC
 6300 IRELAN PL,
 DUBLIN, OH 43017 USA
 Ph: 614 889-0480, Fax: 614 889-0540
 www.kineticsnoise.com

Model:

FH-
200/1600

By: BB

Date: 05/22/17

Revised: /

Drawing No:

S-03.38-14

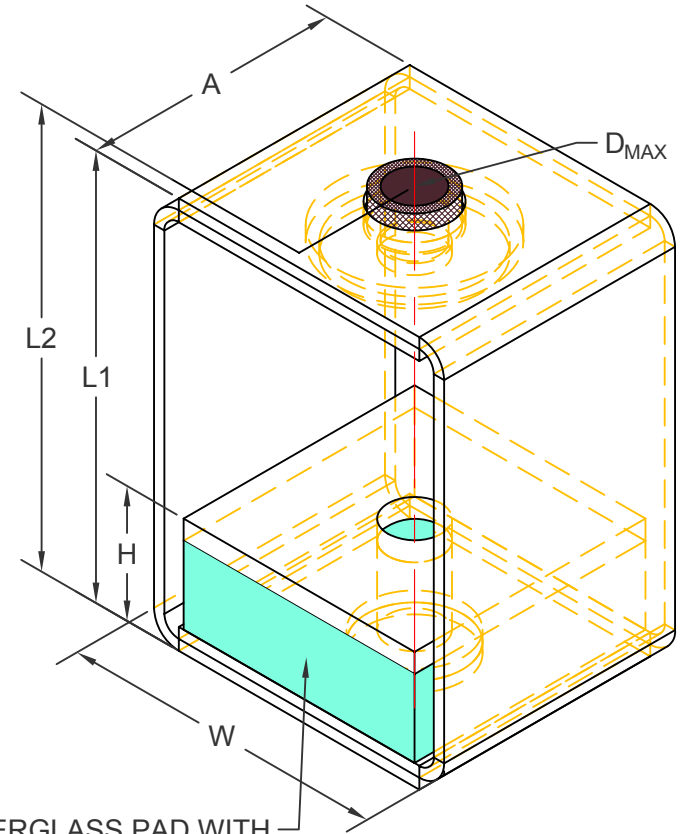
FH FIBERGLASS ISOLATION HANGER

S-I UNITS (mm AND kg)

TYPE	L1	L2	W	A	H	T	Dmax
FH-200/1600	129	134	96	76	39	25	16

STANDARD RATINGS

TYPE	SIZE	PAD DENSITY	RATED	
			LOAD	DEFL.
FH	200	G	91	9
FH	400	L	181	7
FH	800	Q	363	5
FH	1600	QR	726	4



(T) THICK FIBERGLASS PAD WITH DENSITY IDENTIFICATION STAMP

SPECIFICATIONS:

- FIBERGLASS ELEMENTS ARE ELASTOMERICALLY COATED.
- LOAD PLATE AND HANGER BRACKET ARE PAINTED KNC STANDARD COLOR.
- ISOLATION HANGERS HAVE A TYPICAL OVERLOAD OF 50%.
- HANGER BRACKETS WILL CARRY (5) TIMES OVERLOAD WITHOUT FAILURE.



KINETICS NOISE CONTROL, INC
6300 IRELAN PL,
DUBLIN, OH 43017 USA
Ph: 614 889-0480, Fax: 614 889-0540
www.kineticsnoise.com

Model:

FH-
200/1600

By: BB

Date: 05/22/17

Revised: /

Drawing No:

S-03.38-14
METRIC