

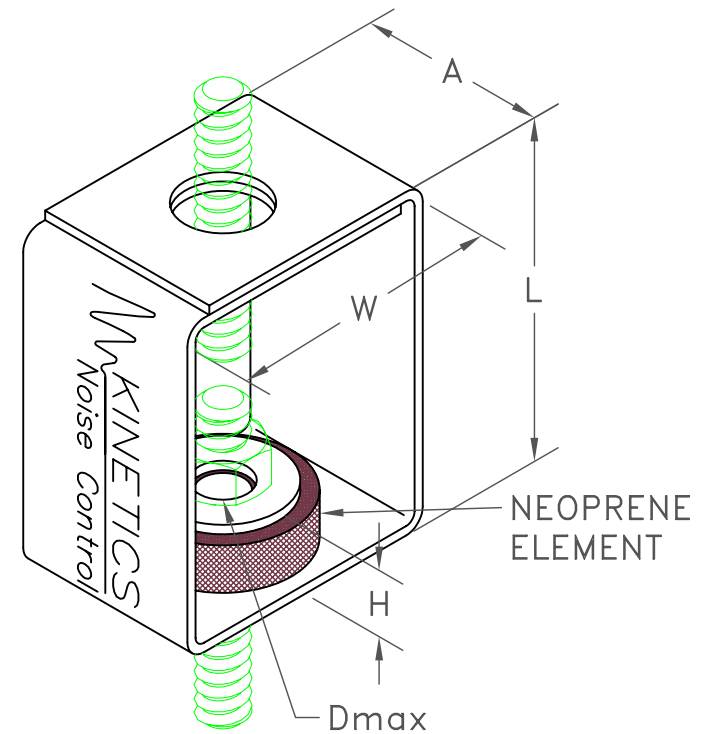
RH-A HANGER

IP UNITS (INCHES AND POUNDS)

TYPE	L	W	A	Dmax	H
RH-75A/125A	2.72	2.15	1.50	0.38	0.45

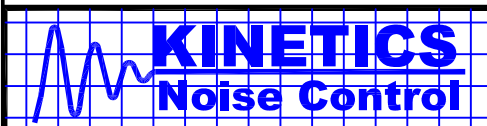
STANDARD RATINGS

TYPE	SIZE	RATED	
		LOAD	DEFL.
RH	75A	75	0.09
RH	125A	125	0.04



SPECIFICATIONS:

- HANGER BRACKETS ARE BRIGHT ZINC PLATED.
- RATED LOADS ARE MAXIMUM CONTINUOUS OPERATING LOADS.
- HANGER BRACKETS WILL CARRY (5) TIMES OVERLOAD WITHOUT FAILURE.
- HANGER BRACKETS WILL ALLOW 30° ROD MISALIGNMENT WITHOUT SHORT CIRCUITING.



KINETICS NOISE CONTROL, INC
 6300 IRELAN PL.
 DUBLIN, OH 43017 USA
 Ph: 614 889-0480, Fax: 614 889-0540
 www.kineticsnoise.com

Model:
 RH
 75A/125A

By: BB
 Date: 12/07/05
 Revised: /

Drawing No:
 S-03.39-11

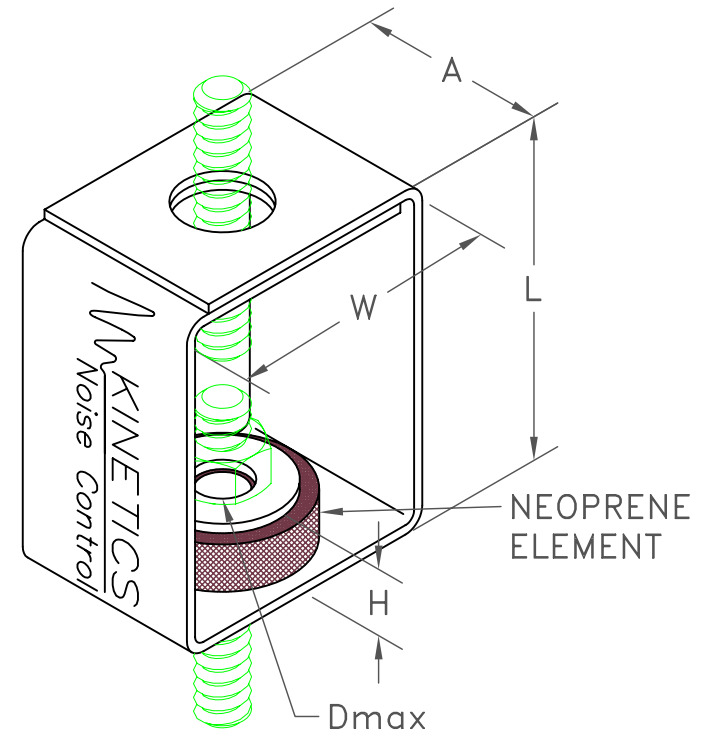
RH-A HANGER

S-I UNITS (mm AND kg)

TYPE	L	W	A	Dmax	H
RH-75A/125A	69	55	38	10	11

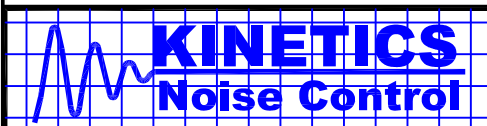
STANDARD RATINGS

TYPE	SIZE	RATED	
		LOAD	DEFL.
RH	75A	34	2
RH	125A	57	1



SPECIFICATIONS:

- HANGER BRACKETS ARE BRIGHT ZINC PLATED.
- RATED LOADS ARE MAXIMUM CONTINUOUS OPERATING LOADS.
- HANGER BRACKETS WILL CARRY (5) TIMES OVERLOAD WITHOUT FAILURE.
- HANGER BRACKETS WILL ALLOW 30° ROD MISALIGNMENT WITHOUT SHORT CIRCUITING.



KINETICS NOISE CONTROL, INC
 6300 IRELAN PL.
 DUBLIN, OH 43017 USA
 Ph: 614 889-0480, Fax: 614 889-0540
 www.kineticsnoise.com

Model:
 RH
 75A/125A

By: BB
 Date: 12/07/05
 Revised: /

Drawing No:
 S-03.39-11
 METRIC