

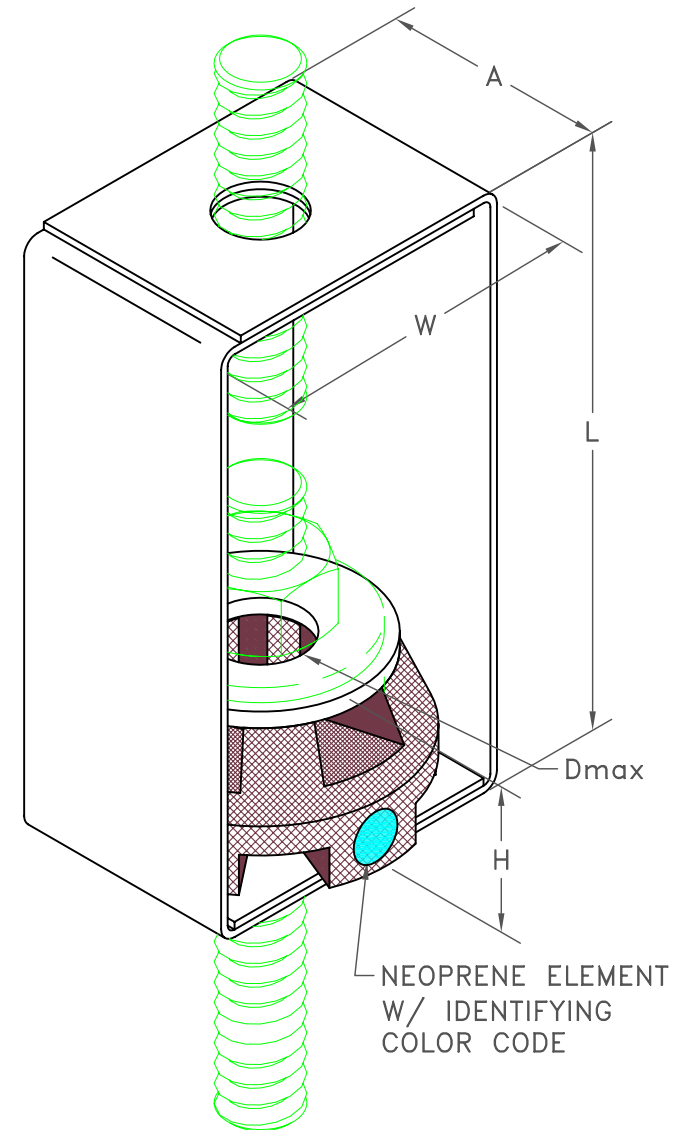
# RH-B HANGER

IP UNITS (INCHES AND POUNDS)

TYPE	L	W	A	Dmax	H
RH-125B/450B	5.91	3.15	2.25	0.75	1.60

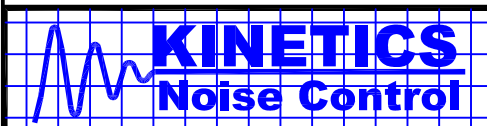
### STANDARD RATINGS

TYPE	SIZE	RATED		ISOLATOR COLOR
		LOAD	DEFL.	
RH	125B	125	0.35	BLACK
RH	175B	175	0.35	RED
RH	300B	300	0.53	GREEN
RH	450B	450	0.55	WHITE



#### SPECIFICATIONS:

- HANGER BRACKETS AND LOAD PLATES ARE BRIGHT ZINC PLATED.
- RATED LOADS ARE MAXIMUM CONTINUOUS OPERATING LOADS.
- HANGER BRACKETS WILL CARRY (5) TIMES OVERLOAD WITHOUT FAILURE.
- HANGER BRACKETS WILL ALLOW 30° ROD MISALIGNMENT WITHOUT SHORT CIRCUITING.



KINETICS NOISE CONTROL, INC  
 6300 IRELAN PL.  
 DUBLIN, OH 43017 USA  
 Ph: 614 889-0480, Fax: 614 889-0540  
 www.kineticsnoise.com

Model:  
 RH  
 125B/450B

By: BB  
 Date: 12/07/05  
 Revised: /

Drawing No:  
 S-03.39-12

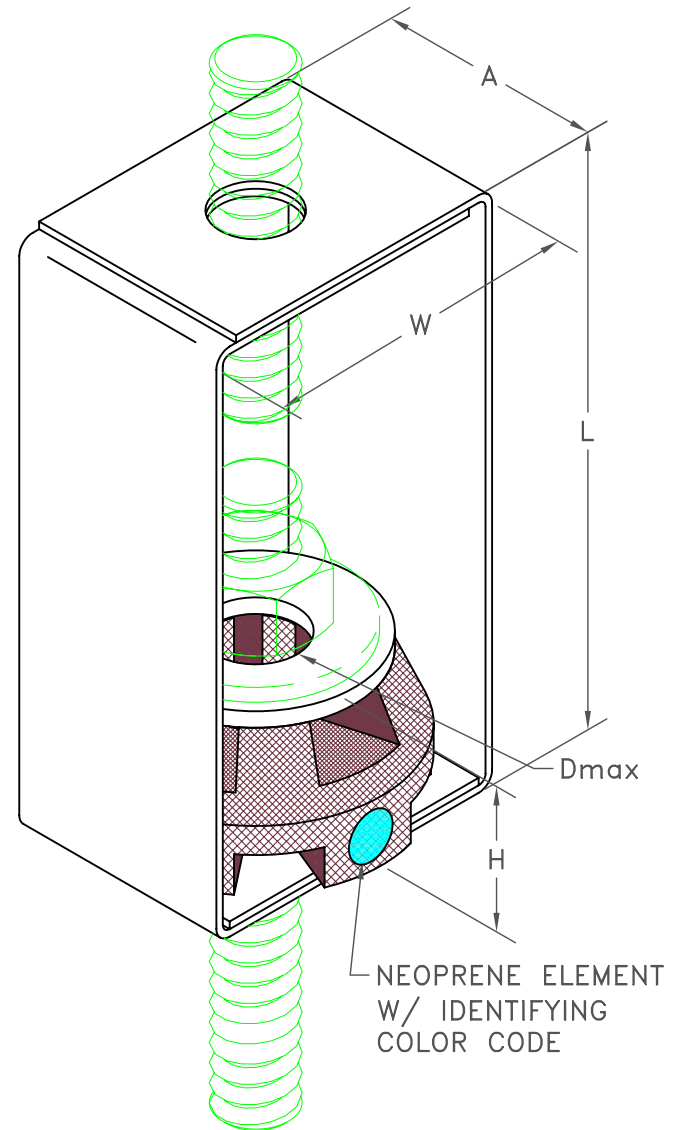
# RH-B HANGER

S-I UNITS (mm AND kg)

TYPE	L	W	A	Dmax	H
RH-125B/450B	150	80	57	19	41

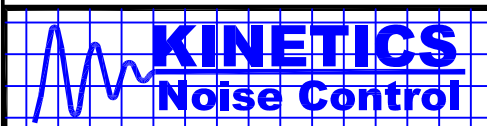
## STANDARD RATINGS

TYPE	SIZE	RATED		ISOLATOR COLOR
		LOAD	DEFL.	
RH	125B	57	9	BLACK
RH	175B	79	9	RED
RH	300B	136	13	GREEN
RH	450B	204	14	WHITE



### SPECIFICATIONS:

- HANGER BRACKETS AND LOAD PLATES ARE BRIGHT ZINC PLATED.
- RATED LOADS ARE MAXIMUM CONTINUOUS OPERATING LOADS.
- HANGER BRACKETS WILL CARRY (5) TIMES OVERLOAD WITHOUT FAILURE.
- HANGER BRACKETS WILL ALLOW 30° ROD MISALIGNMENT WITHOUT SHORT CIRCUITING.



KINETICS NOISE CONTROL, INC  
 6300 IRELAN PL.  
 DUBLIN, OH 43017 USA  
 Ph: 614 889-0480, Fax: 614 889-0540  
 www.kineticsnoise.com

Model:  
 RH  
 125B/450B

By: BB  
 Date: 12/07/05  
 Revised: /

Drawing No:  
 S-03.39-12  
 METRIC