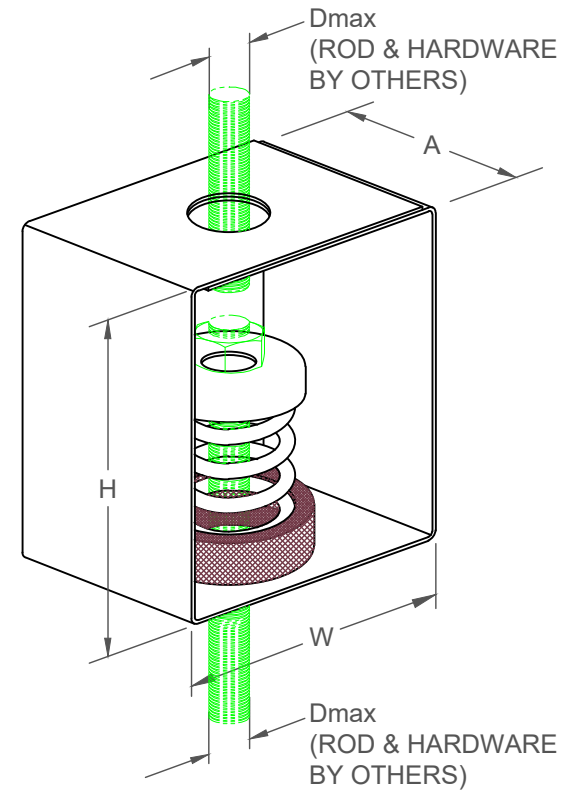


SHAB 13 mm DEFLECTION ISOLATION HANGERS

S-I UNITS (mm AND kg)

TYPE	H	W	A	Dmax
15/70	69	55	38	10

STANDARD RATINGS				SPRING COIL		
TYPE	SIZE	LOAD	DEFL.	COLOR	FREE HT.	O.D.
SHAB	15	7	12	BLUE	38	31
SHAB	30	14	14	GRAY	38	31
SHAB	50	23	12	SILVER	38	31
SHAB	70	32	11	GREEN	38	31



SPECIFICATIONS:

- POWDER COATED SPRING ELEMENTS.
- BRACKETS AND HARDWARE ARE BRIGHT ZINC PLATED.
- ISOLATION HANGERS HAVE A TYPICAL OVERLOAD OF 50%.
- ISOLATION HANGERS HAVE A MINIMUM K_x/K_y RATIO OF 1.2.
- SPRING ELEMENTS ARE SAFE AT SOLID LOADING.
- HANGER BRACKETS WILL CARRY (5) TIMES OVERLOAD WITHOUT FAILURE.
- ISOLATION HANGERS HAVE A NEOPRENE BOTTOM SPRING CUP.



KINETICS NOISE CONTROL, INC
 6300 IRELAN PL,
 DUBLIN, OH 43017 USA
 Ph: 614 889-0480, Fax: 614 889-0540
 www.kineticsnoise.com

Model:
SHAB
15/70

By:	BB
Date:	04/29/05
Revised:	12/07/05 / BB

Drawing No:
S-03.42-12
METRIC