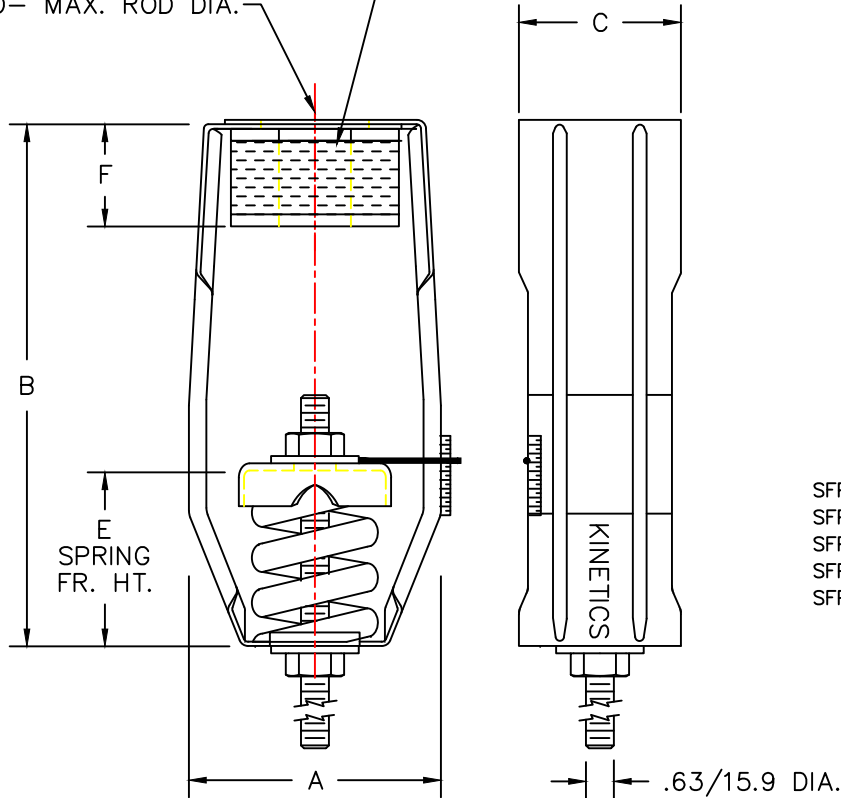


NOTE:
ALL DIMENSIONS SHOWN IN
INCHES AND MILLIMETERS.

MODEL	SPRING COLOR	RATED LOAD LB/KG	RATED DEFLECTION IN/MM	DIMENSIONS IN INCHES					
				A IN/MM	B IN/MM	C IN/MM	D IN/MM	E IN/MM	F IN/MM
SFPH-1-250	BLUE	250/114	1.89/48	5.58/142	8.59/218	3.63/92	1.00/25	4.00/100	1.50/38
SFPH-1-450	GREEN	450/205	1.67/42	5.58/142	8.59/218	3.63/92	1.00/25	4.00/100	1.50/38
SFPH-1-625	BLACK	625/284	1.60/41	5.58/142	8.59/218	3.63/92	1.00/25	4.00/100	1.50/38
SFPH-1-800	GRAY	800/364	1.50/38	5.58/142	8.59/218	3.63/92	1.00/25	4.00/100	1.50/38
SFPH-1-1000	RED	1000/455	1.23/31	5.58/142	8.59/218	3.63/92	1.00/25	4.00/100	1.50/38

PRECOMPRESSED MOLDED
FIBERGLASS INSERT

D- MAX. ROD DIA.



- SFPH-1 ISOLATION HANGERS HAVE A MINIMUM K_x/K_y OF 1.4
- SFPH-1 SPRING ELEMENTS ARE SAFE FOR SOLID LOADING
- SFPH-1 HANGER BRACKETS WILL CARRY (5) TIMES OVERLOAD WITHOUT FAILURE
- SFPH-1 HANGER BRACKETS WILL ALLOW 30° ROD MISALIGNMENT WITHOUT SHORT CIRCUITING
- SFPH-1 SPRING ELEMENTS AND BRACKETS ARE POWDER COATED. LOAD PLATES ARE BRIGHT ZINC PLATED .



TITLE
MODEL SFPH-1 HANGER

LAST DATE
REVISED
4/16/96

DRAWN BY
DW

DRAWING NO. S-DWG
S-03.45-1B