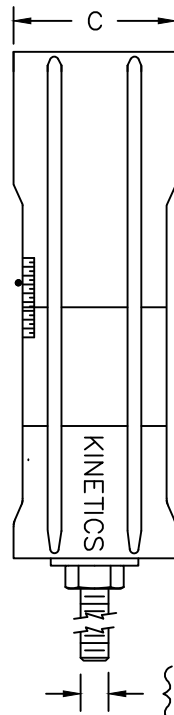
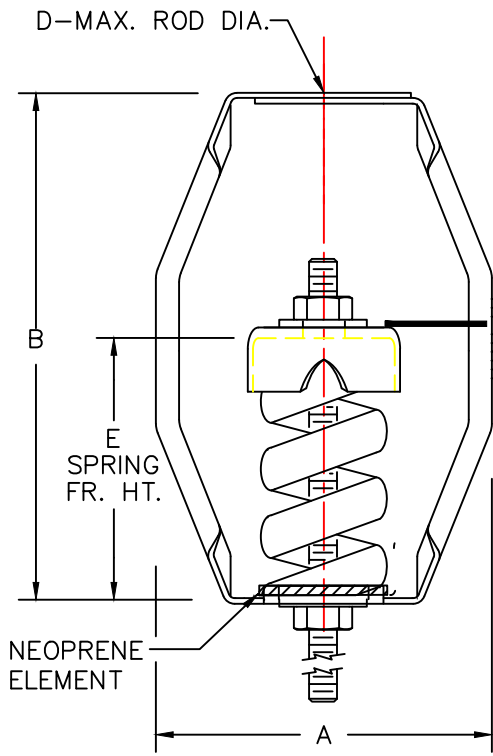


NOTE:
ALL DIMENSIONS SHOWN IN
INCHES AND MILLIMETERS.

MODEL	SPRING COLOR	RATED LOAD LB/KG	RATED DEFLECTION IN/MM	DIMENSIONS IN INCHES				
				A IN/MM	B IN/MM	C IN/MM	D IN/MM	E IN/MM
SPH-1-35	BLUE	35/16	1.52/37	3.69/94	5.25/133	2.25/57	.50/13	3.00/75
SPH-1-70	GREEN	70/32	1.36/35	3.69/94	5.25/133	2.25/57	.50/13	3.00/75
SPH-1-125	GRAY	125/57	1.25/32	3.69/94	5.25/133	2.25/57	.50/13	3.00/75
SPH-1-245	BROWN	245/111	1.19/30	3.69/94	5.25/133	2.25/57	.50/13	3.00/75
SPH-1-370	ORANGE	370/168	1.00/25	3.69/94	5.25/133	2.25/57	.50/13	3.00/75
SPH-1-500	BEIGE	500/227	1.00/25	3.69/94	5.25/133	2.25/57	.63/16	3.00/75
SPH-1-600	CHROME	600/273	1.00/25	3.69/94	5.25/133	2.25/57	.63/16	3.00/75
* SPH-1-700	BEIGE/WHITE	700/318	1.00/25	3.69/94	5.25/133	2.25/57	.63/16	3.00/75
* SPH-1-805	CHROME/WHITE	805/366	1.00/25	3.69/94	5.25/133	2.25/57	.63/16	3.00/75



SPH-1 ISOLATION HANGERS HAVE A MINIMUM K_x/K_y OF 1.0
 SPH-1 SPRING ELEMENTS ARE SAFE FOR SOLID LOADING
 SPH-1 HANGER BRACKETS WILL CARRY (5) TIMES OVERLOAD WITHOUT FAILURE
 SPH-1 HANGER BRACKETS WILL ALLOW 30° ROD MISALIGNMENT WITHOUT SHORT CIRCUITING
 EXCEPT AS NOTED *
 SPH-1 SPRING ELEMENTS AND BRACKETS ARE POWDER COATED. LOAD PLATES ARE
 BRIGHT ZINC PLATED .
 SPH-1 ISOLATION HANGERS MARKED * HAVE A NEOPRENE BOTTOM SPRING CAP
 WITH GROMMET.



TITLE
SPH-1 HANGER

LAST DATE
REVISED
4/16/96

DRAWN BY
DW

DRAWING NO. S-DWG
S-03.46-1A