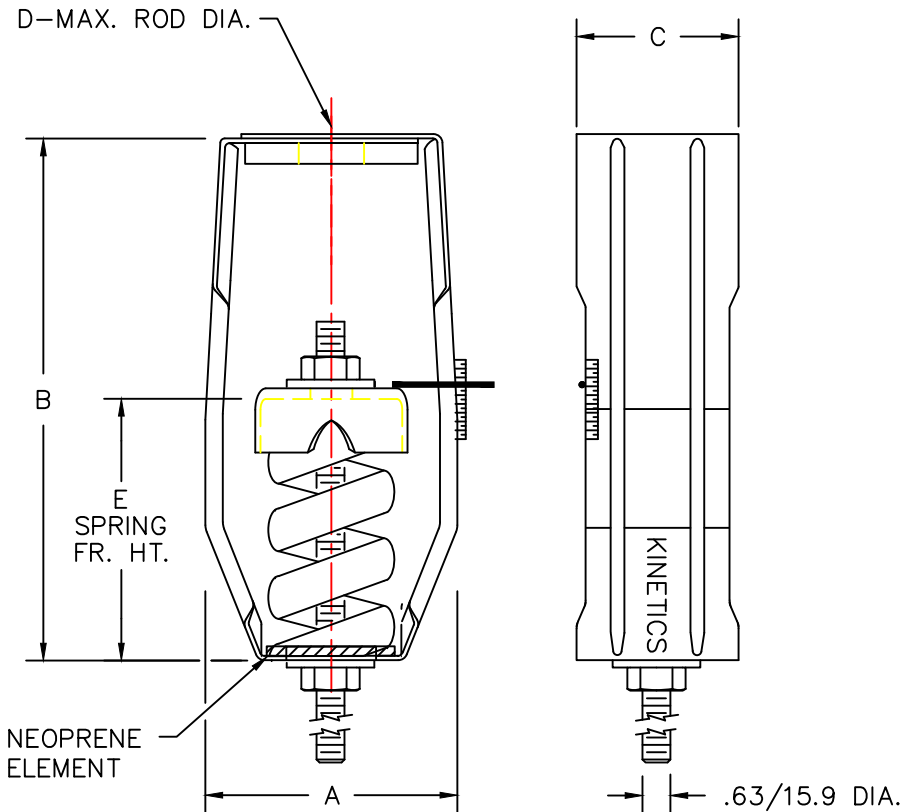


NOTE:
ALL DIMENSIONS SHOWN IN
INCHES AND MILLIMETERS.

| MODEL | SPRING COLOR | RATED LOAD LB/KG | RATED DEFLECTION IN/MM | DIMENSIONS IN INCHES | | | | |
|------------|-----------------|------------------------|------------------------------|----------------------|------------|------------|------------|------------|
| | | | | A IN/MM | B IN/MM | C IN/MM | D IN/MM | E IN/MM |
| SPH-1-250 | BLUE | 250/114 | 1.79/45 | 5.58/142 | 8.59/218 | 3.63/92 | 1.00/25 | 4.00/100 |
| SPH-1-450 | GREEN | 450/205 | 1.54/39 | 5.58/142 | 8.59/218 | 3.63/92 | 1.00/25 | 4.00/100 |
| SPH-1-625 | BLACK | 625/284 | 1.44/37 | 5.58/142 | 8.59/218 | 3.63/92 | 1.00/25 | 4.00/100 |
| SPH-1-800 | GRAY | 800/364 | 1.31/33 | 5.58/142 | 8.59/218 | 3.63/92 | 1.00/25 | 4.00/100 |
| SPH-1-1000 | RED | 1000/455 | 1.15/29 | 5.58/142 | 8.59/218 | 3.63/92 | 1.00/25 | 4.00/100 |



SPH-1 ISOLATION HANGERS HAVE A MINIMUM K_x/K_y OF 1.4
 SPH-1 SPRING ELEMENTS ARE SAFE FOR SOLID LOADING
 SPH-1 HANGER BRACKETS WILL CARRY (5) TIMES OVERLOAD WITHOUT FAILURE
 SPH-1 HANGER BRACKETS WILL ALLOW 30° ROD MISALIGNMENT WITHOUT SHORT CIRCUITING
 SPH-1 SPRING ELEMENTS AND BRACKETS ARE POWDER COATED. LOAD PLATES ARE BRIGHT ZINC PLATED .



TITLE
MODEL SPH-1 HANGER

LAST DATE
REVISED
4/16/96

DRAWN BY
DW

DRAWING NO.
S-03.46-1B

S-DWG