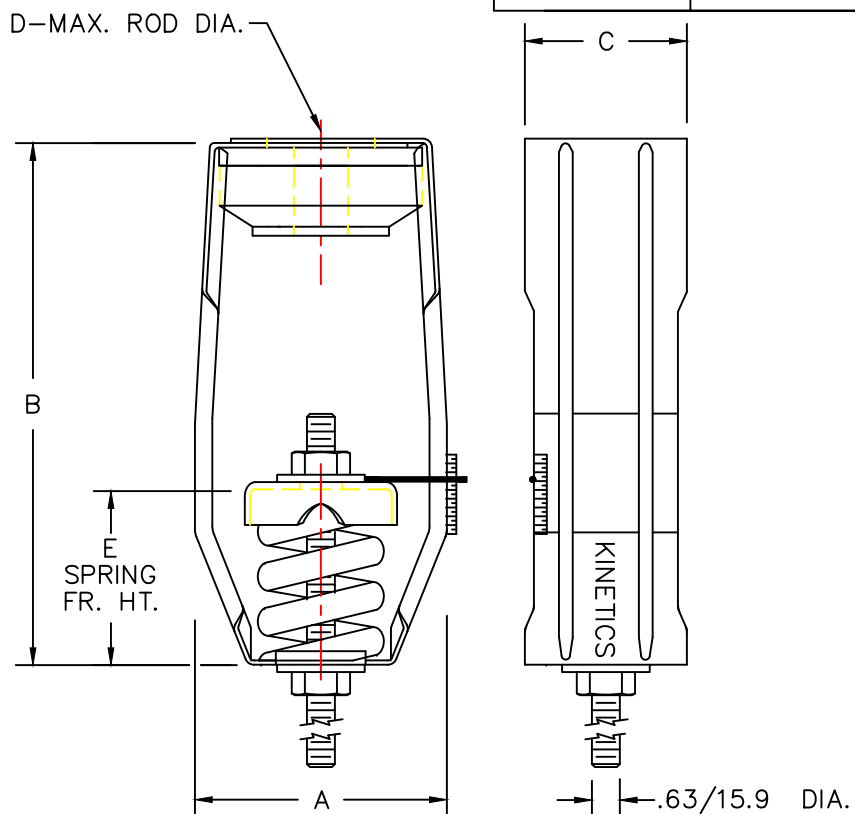


NOTE:  
ALL DIMENSIONS SHOWN IN  
INCHES AND MILLIMETERS.

MODEL	SPRING COLOR	RATED LOAD LB/KG	RATED DEFLECTION IN/MM	DIMENSIONS IN INCHES				
				A IN/MM	B IN/MM	C IN/MM	D IN/MM	E IN/MM
SPH-2-260	BLUE	260/118	2.14/54	5.58/142	8.59/218	3.63/92	.88/22	4.00/100
SPH-2-465	GREEN	465/211	2.00/50	5.58/142	8.59/218	3.63/92	.88/22	4.00/100
SPH-2-720	BLACK	720/328	2.00/50	5.58/142	8.59/218	3.63/92	.88/22	4.00/100
SPH-2-850	WHITE	850/386	2.03/52	5.58/142	8.59/218	3.63/92	.88/22	4.25/108
SPH-2-1025	BEIGE	1025/466	2.00/50	5.58/142	8.59/218	3.63/92	.88/22	4.25/108
SPH-2-1200	CHROME	1200/546	2.03/52	5.58/142	8.59/218	3.63/92	.88/22	4.50/114



SPH-2 ISOLATION HANGERS HAVE A MINIMUM  $K_x/K_y$  OF 1.4  
 SPH-2 SPRING ELEMENTS ARE SAFE FOR SOLID LOADING  
 SPH-2 HANGER BRACKETS WILL CARRY (5) TIMES OVERLOAD WITHOUT FAILURE  
 SPH-2 HANGER BRACKETS WILL ALLOW 30° ROD MISALIGNMENT WITHOUT SHORT CIRCUITING  
 SPH-2 SPRING ELEMENTS AND BRACKETS ARE POWDER COATED. LOAD PLATE ARE  
 BRIGHT ZINC PLATED.  
 SPH-2 HANGERS CONTAIN AN UPPER NEOPRENE ELEMENT



TITLE  
MODEL SPH-2 HANGER

LAST DATE  
REVISED  
4/16/96

DRAWN BY  
DW

DRAWING NO.  
S-03.46-2B

S-DWG