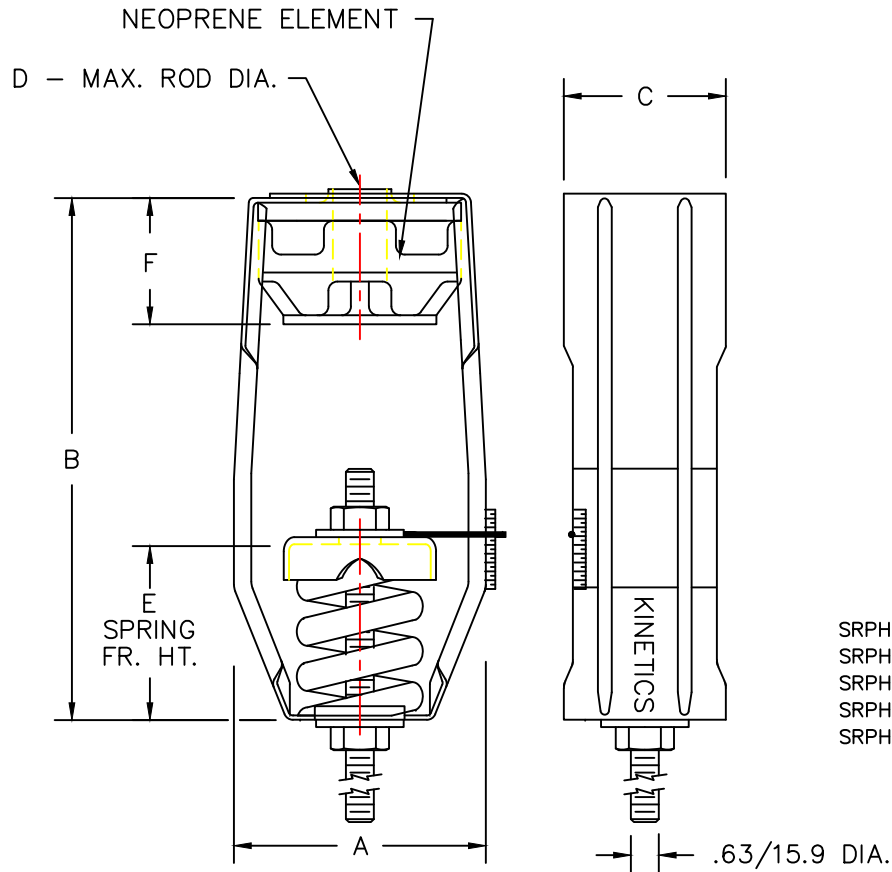


NOTE:
ALL DIMENSIONS SHOWN IN
INCHES AND MILLIMETERS.

MODEL	SPRING COLOR	RATED LOAD LB/KG	RATED DEFLECTION IN/MM	DIMENSIONS IN INCHES					
				A IN/MM	B IN/MM	C IN/MM	D IN/MM	E IN/MM	F IN/MM
SRPH-1-250	BLUE	250/114	2.14/54	5.58/142	8.59/218	3.63/92	.88/22	4.00/100	1.86/47
SRPH-1-450	GREEN	450/205	1.94/49	5.58/142	8.59/218	3.63/92	.88/22	4.00/100	1.86/47
SRPH-1-625	BLACK	625/284	1.79/45	5.58/142	8.59/218	3.63/92	.88/22	4.00/100	1.86/47
SRPH-1-800	GRAY	800/364	1.62/41	5.58/142	8.59/218	3.63/92	.88/22	4.00/100	1.86/47
SRPH-1-1000	RED	1000/455	1.50/38	5.58/142	8.59/218	3.63/92	.88/22	4.00/100	1.86/47



- SRPH-1 ISOLATION HANGERS HAVE A MINIMUM K_x/K_y OF 1.4
- SRPH-1 SPRING ELEMENTS ARE SAFE FOR SOLID LOADING
- SRPH-1 HANGER BRACKETS WILL CARRY (5) TIMES OVERLOAD WITHOUT FAILURE
- SRPH-1 HANGER BRACKETS WILL ALLOW 30° ROD MISALIGNMENT WITHOUT SHORT CIRCUITING
- SRPH-1 SPRING ELEMENTS AND BRACKETS ARE POWDER COATED. LOAD PLATES ARE BRIGHT ZINC PLATED.



TITLE
MODEL SRPH-1 HANGER

LAST DATE
REVISED
4/17/96

DRAWN BY
DW

DRAWING NO.
S-03.47-1B

S-DWG