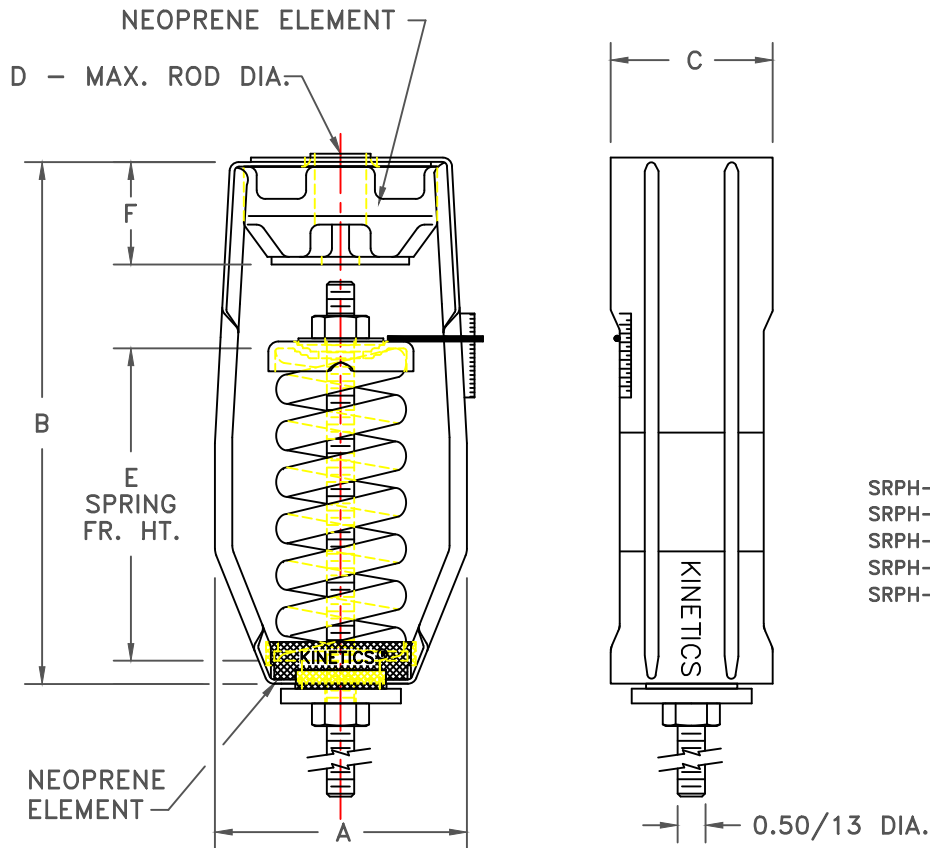


NOTE:
ALL DIMENSIONS SHOWN IN
INCHES AND MILLIMETERS.

MODEL	SPRING COLOR	RATED LOAD		RATED DEFLECTION		DIMENSIONS											
		(LB)	(KG)	(IN)	(MM)	A		B		C		D		E		F	
						(IN)	(MM)	(IN)	(MM)	(IN)	(MM)	(IN)	(MM)	(IN)	(MM)	(IN)	(MM)
SRPH-2-35	BLUE	35	16	2.09	53	3.69	94	7.38	187	2.25	57	0.50	13	4.13	105	1.61	41
SRPH-2-70	GREEN	70	32	2.19	56	3.69	94	7.38	187	2.25	57	0.50	13	4.13	105	1.61	41
SRPH-2-120	GRAY	120	54	2.32	59	3.69	94	7.38	187	2.25	57	0.50	13	4.13	105	1.61	41
SRPH-2-220	BROWN	220	100	2.29	58	3.69	94	7.38	187	2.25	57	0.50	13	4.13	105	1.61	41



SRPH-2 ISOLATION HANGERS HAVE A MINIMUM K_x/K_y OF 1.1
 SRPH-2 SPRING ELEMENTS ARE SAFE FOR SOLID LOADING
 SRPH-2 HANGER BRACKETS WILL CARRY (5) TIMES OVERLOAD WITHOUT FAILURE
 SRPH-2 HANGER BRACKETS WILL ALLOW 30° ROD MISALIGNMENT WITHOUT SHORT CIRCUITING
 SRPH-2 SPRING ELEMENTS AND BRACKETS ARE POWDER COATED. LOAD PLATES ARE BRIGHT ZINC PLATED.