

# ICC 1" DEFLECTION ISOLATION HANGERS

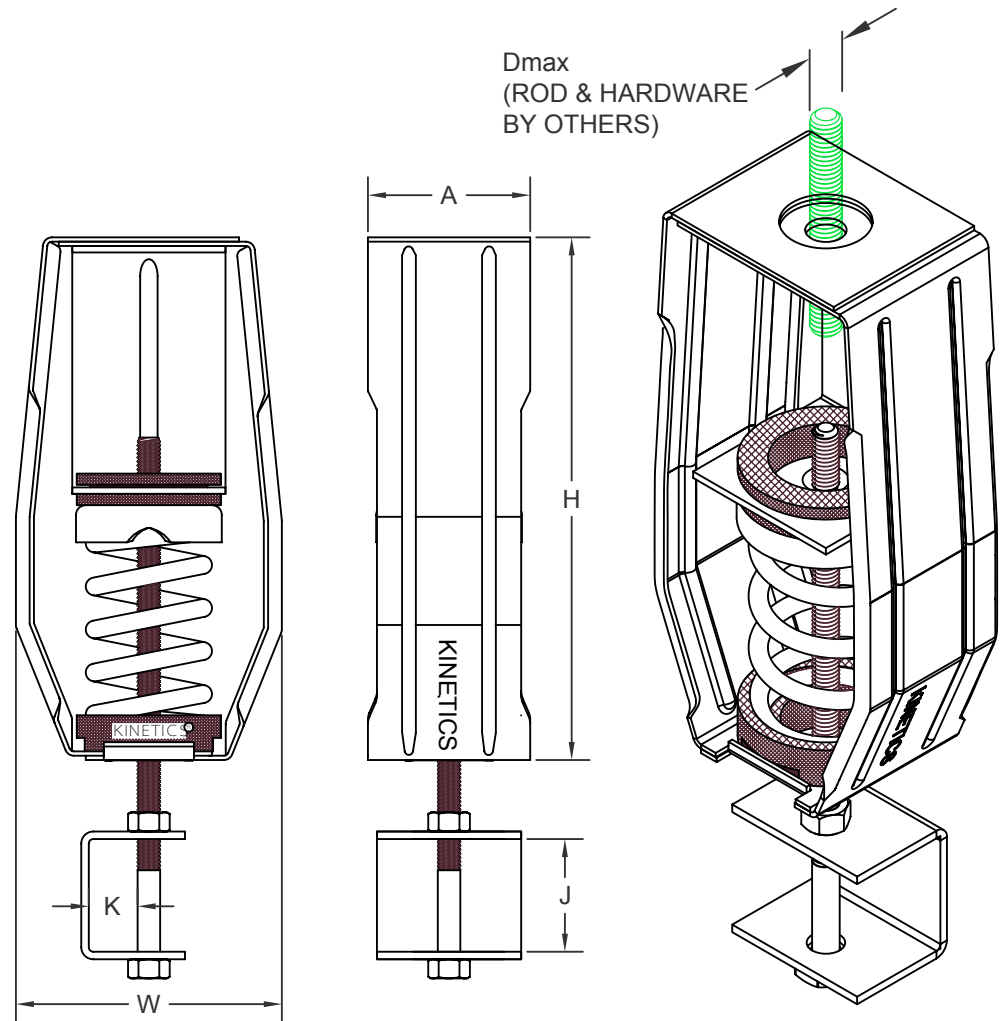
IP UNITS (INCHES AND POUNDS)

TYPE	H	W	A	D <sub>MAX</sub>	J	K
24/210	7.38	3.69	2.25	0.38	1.56	0.66

STANDARD RATINGS				SPRING COIL		
TYPE	SIZE	LOAD	DEFL.	COLOR	FREE HT.	O.D.
ICC	24	24	1.04	BLUE	3.19	1.75
ICC	37	37	1.00	WHITE	3.19	1.75
ICC	50	50	0.97	GREEN	3.19	1.75
ICC	75	75	1.00	BLACK	3.19	1.75
ICC	100	100	0.98	GRAY	3.19	1.75
ICC	150	150	1.00	RED	3.19	1.75
ICC	210	210	1.02	BROWN	3.19	1.75

## SPECIFICATIONS:

- FOR USE WITH 3/8 IN. (10) CONCRETE ANCHORS.
- SPRING ELEMENTS AND BRACKETS ARE POWDER COATED.
- LOAD PLATES AND HARDWARE ARE BRIGHT ZINC PLATED.
- ISOLATION HANGERS HAVE A TYPICAL OVERLOAD OF 50%.
- ISOLATION HANGERS HAVE A MINIMUM K<sub>x</sub>/K<sub>y</sub> RATIO OF 1.0.
- SPRING ELEMENTS ARE SAFE AT SOLID LOADING.
- HANGER BRACKETS WILL CARRY AT LEAST (5) TIMES OVERLOAD WITHOUT FAILURE.
- HANGER BRACKETS WILL ALLOW 30° ROD MISALIGNMENT WITHOUT SHORT CIRCUITING.
- ISOLATION HANGERS HAVE A NEOPRENE BOTTOM SPRING CUP.



KINETICS NOISE CONTROL, INC  
 6300 IRELAN PL,  
 DUBLIN, OH 43017 USA  
 Ph: 614 889-0480, Fax: 614 889-0540  
 www.kineticsnoise.com

Model:

ICC-  
24/210

By: BB

Date: 09/27/05

Revised: 11/24/14 / BB

Drawing No:

S-03.50-12