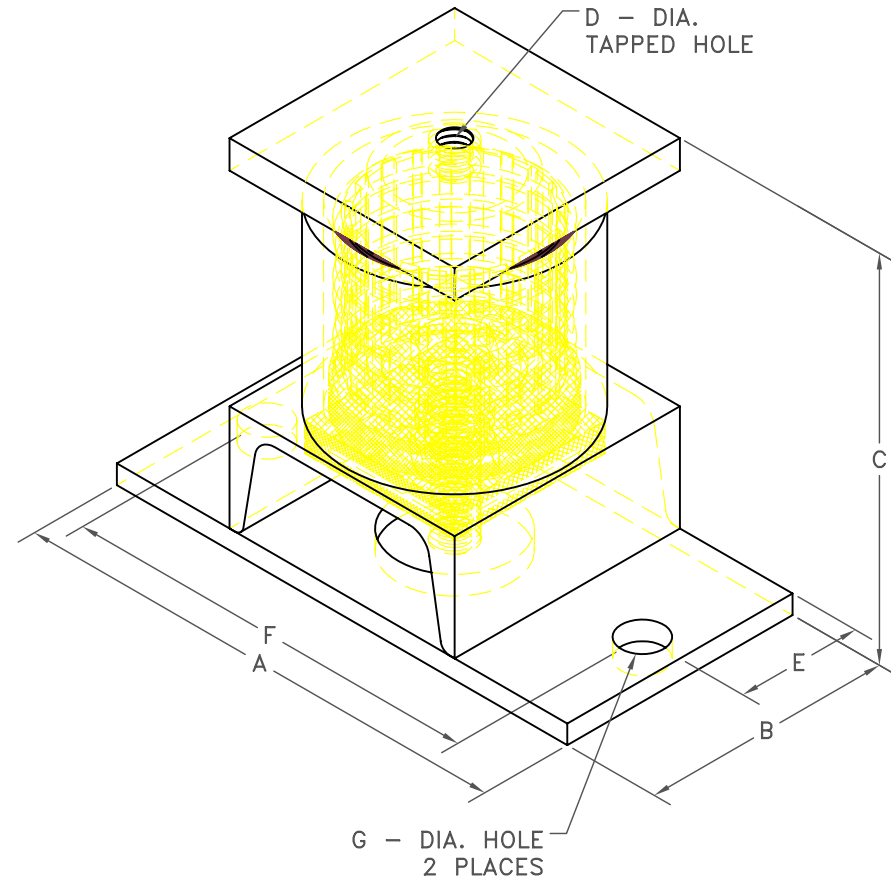


# KPA PIPE ANCHOR

S-I UNITS (mm AND kg)

| TYPE     | A   | B  | C   | D  | E  | F   | G  |
|----------|-----|----|-----|----|----|-----|----|
| KPA-500  | 152 | 76 | 121 | 13 | 38 | 127 | 14 |
| KPA-1000 | 152 | 76 | 121 | 13 | 38 | 127 | 14 |

| STANDARD RATINGS |      | LOAD     |
|------------------|------|----------|
| TYPE             | SIZE | CAPACITY |
| KPA              | 500  | 227      |
| KPA              | 1000 | 454      |



## SPECIFICATIONS:

- VERTICALLY AND LATERALLY RESTRAINED ISOLATOR WITH REPLACEABLE NEOPRENE SNUBBING ELEMENTS.
- PAINTED HOUSINGS.



KINETICS NOISE CONTROL, INC  
 6300 IRELAN PL,  
 DUBLIN, OH 43017 USA  
 Ph: 614 889-0480, Fax: 614 889-0540  
 www.kineticsnoise.com

Model:  
**KPA-500/1000**

By: **BB**  
 Date: **11/01/06**  
 Revised: **/**

Drawing No:  
**S-04.50-11**  
**M**