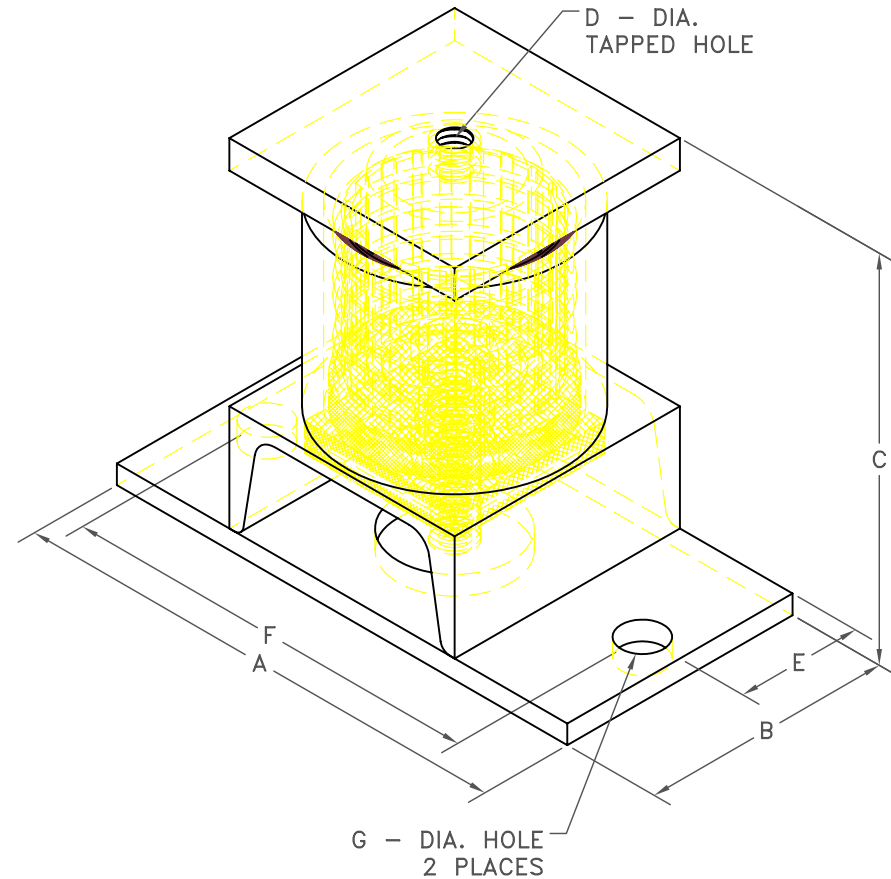


KPA PIPE ANCHOR
IP UNITS (INCHES AND POUNDS)

TYPE	A	B	C	D	E	F	G
KPA-500	6.00	3.00	4.75	0.50	1.50	5.00	0.56
KPA-1000	6.00	3.00	4.75	0.50	1.50	5.00	0.56

STANDARD RATINGS		LOAD CAPACITY
TYPE	SIZE	
KPA	500	500
KPA	1000	1000



SPECIFICATIONS:

- VERTICALLY AND LATERALLY RESTRAINED ISOLATOR WITH REPLACEABLE NEOPRENE SNUBBING ELEMENTS.
- PAINTED HOUSINGS.



KINETICS NOISE CONTROL, INC
 6300 IRELAN PL,
 DUBLIN, OH 43017 USA
 Ph: 614 889-0480, Fax: 614 889-0540
 www.kineticsnoise.com

Model:
KPA-500/1000

By: **BB**
 Date: **11/01/06**
 Revised: **/**

Drawing No:
S-04.50-11